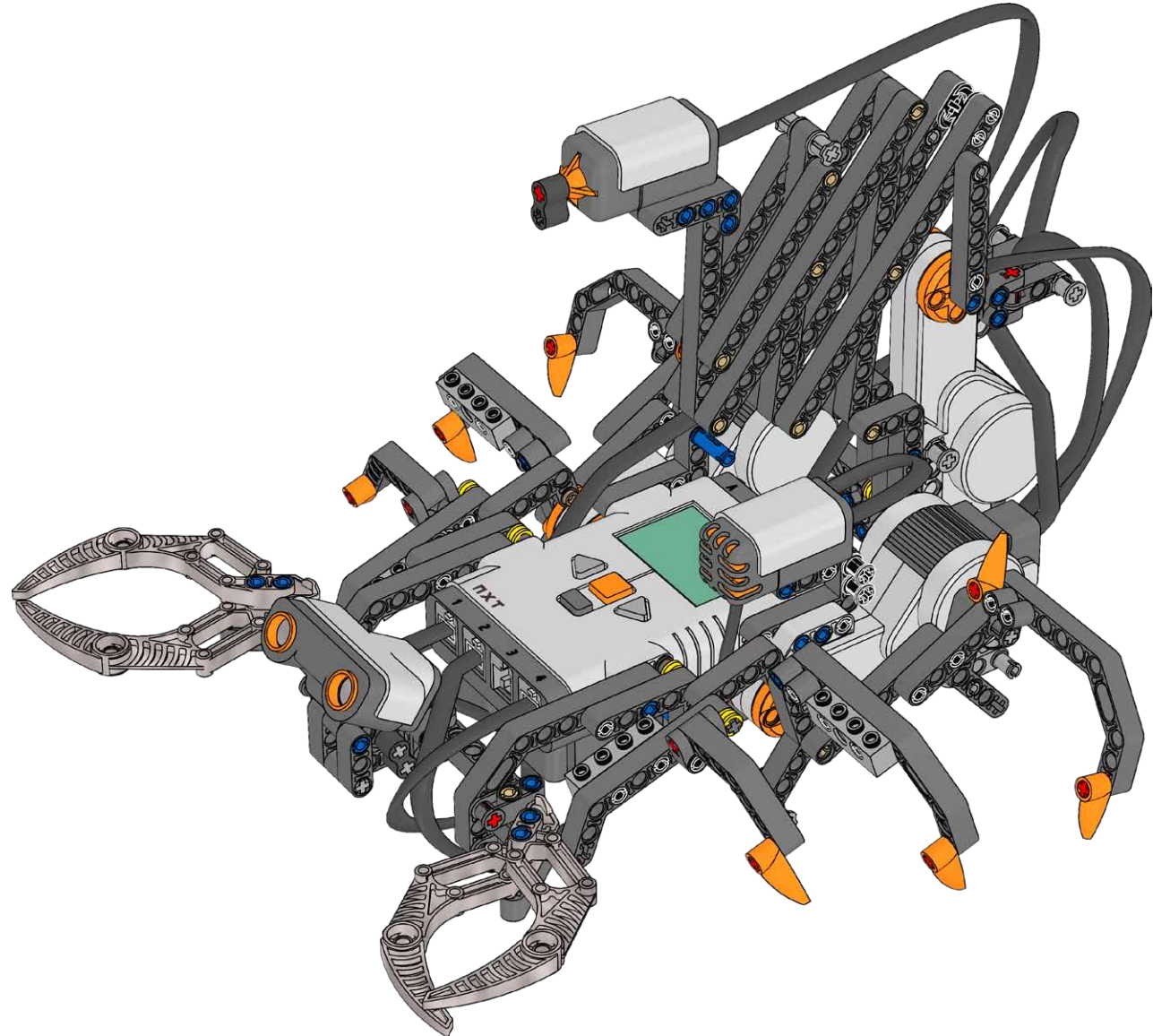
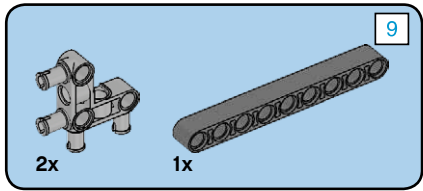


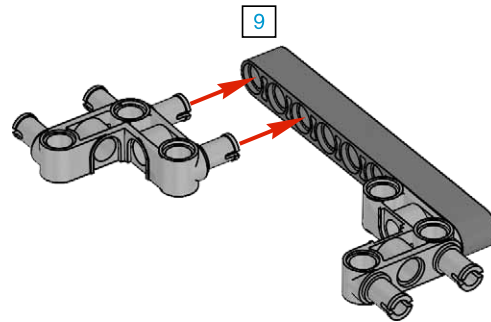
8527

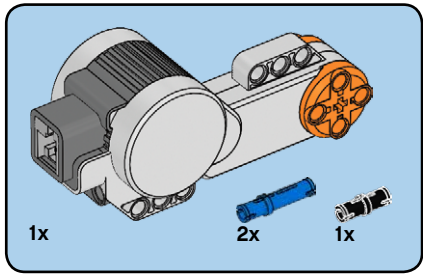


Scorpion

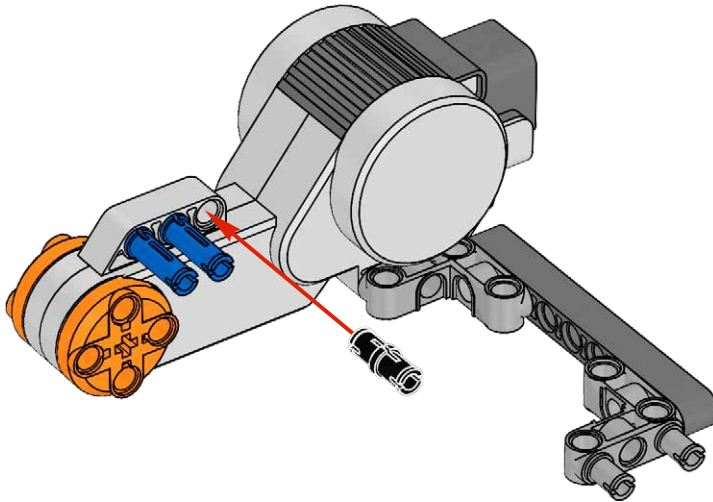


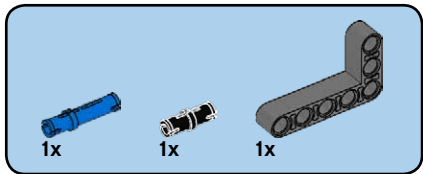
1



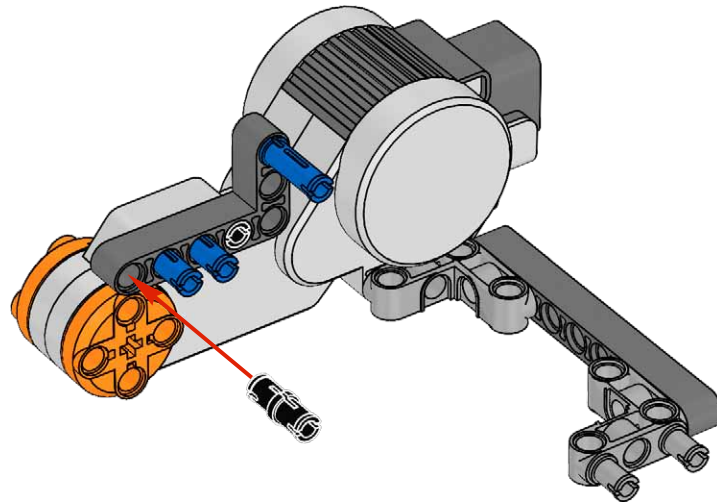


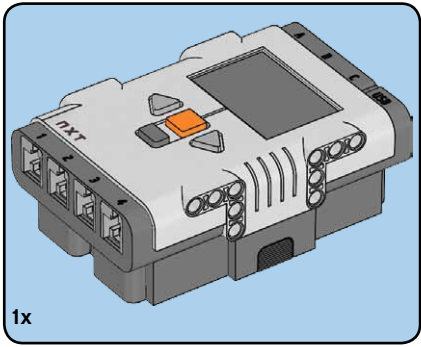
2



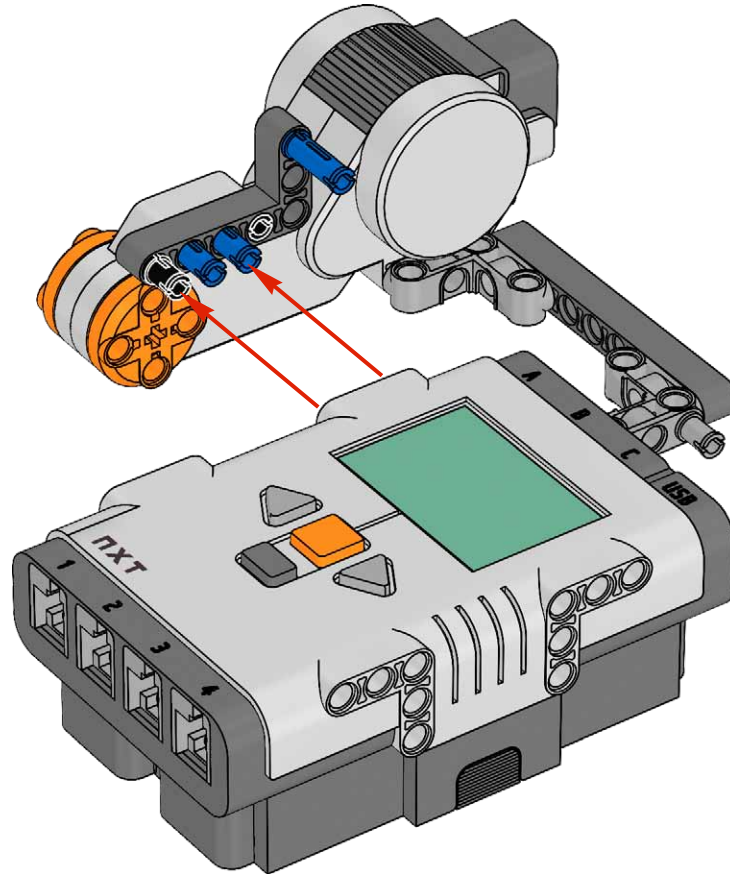


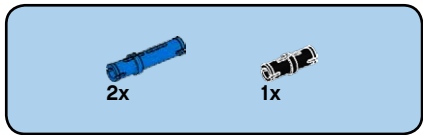
3



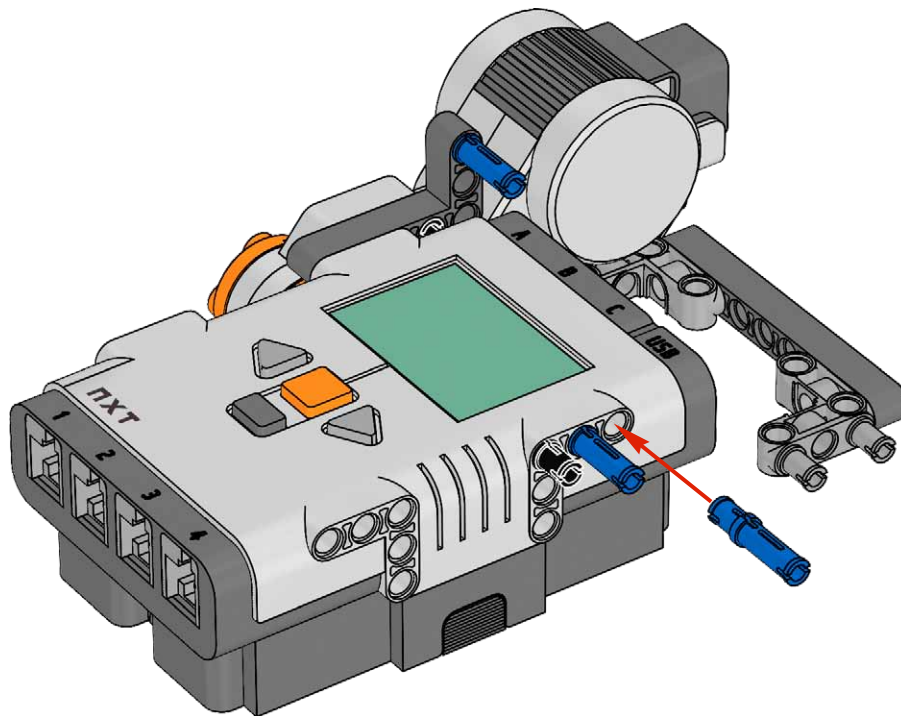


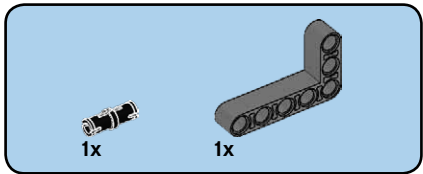
4



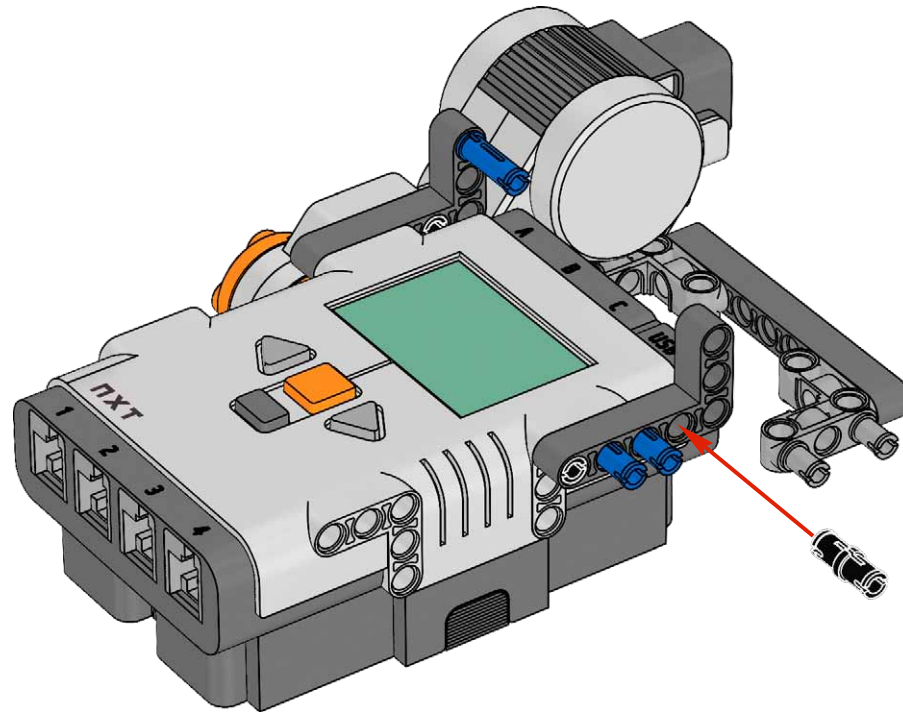


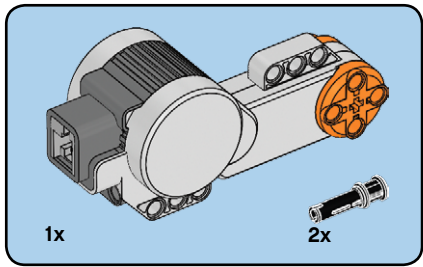
5



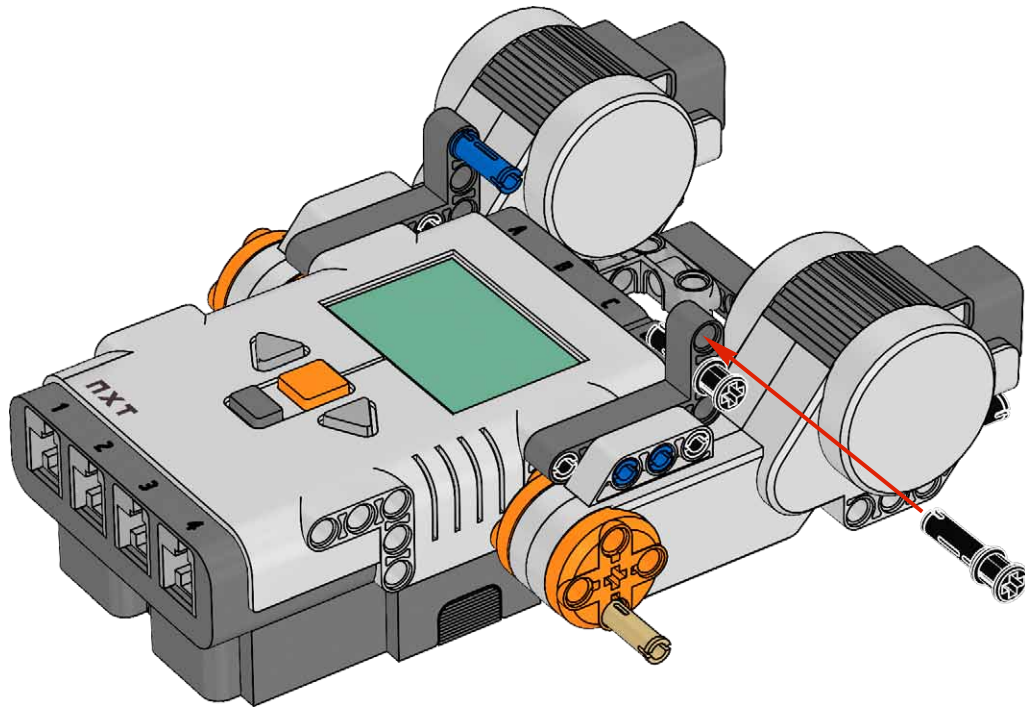


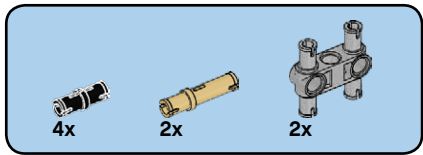
6



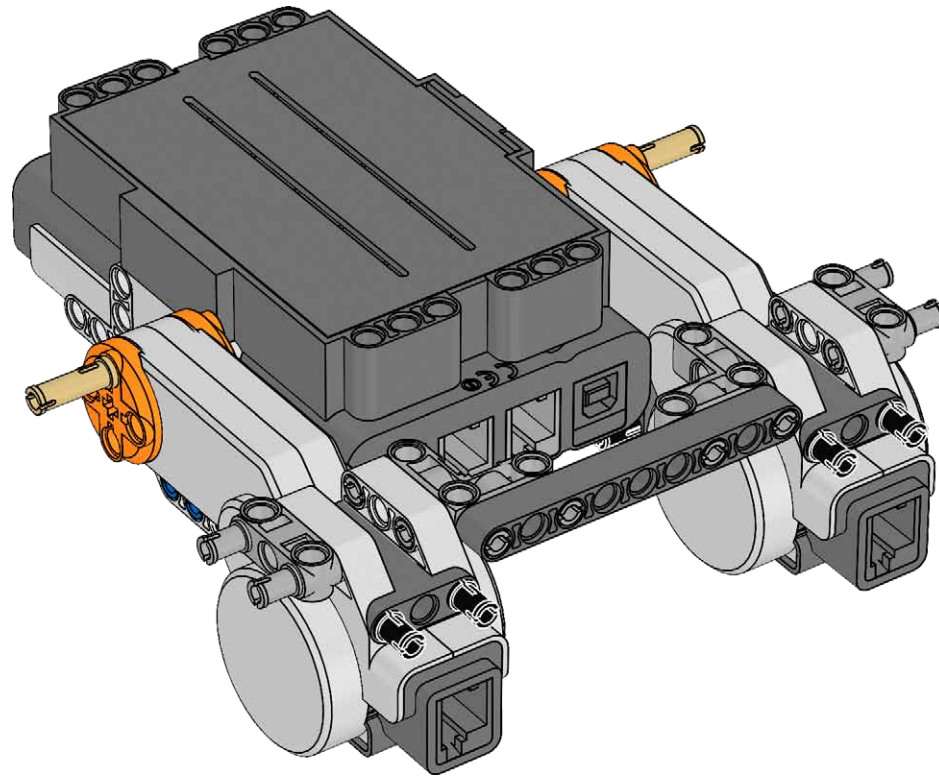


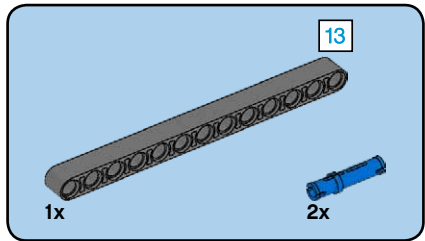
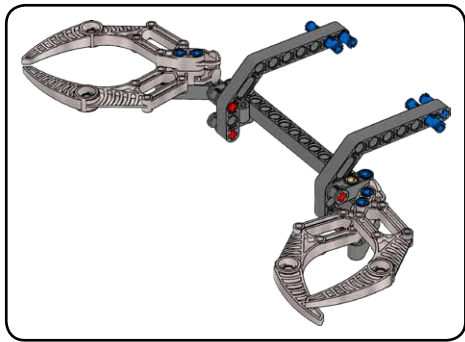
7



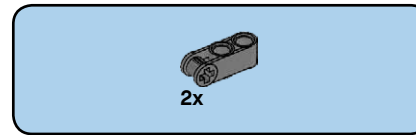
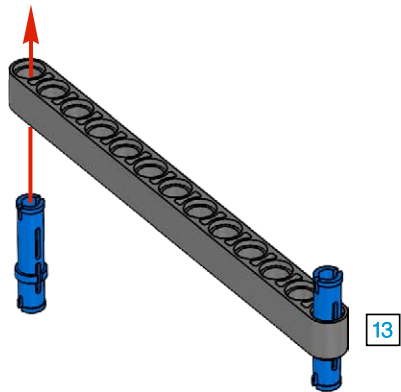


8

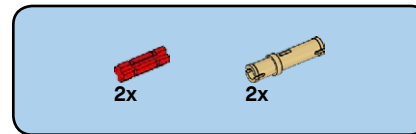
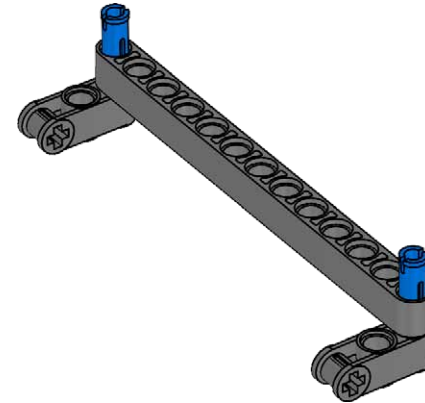




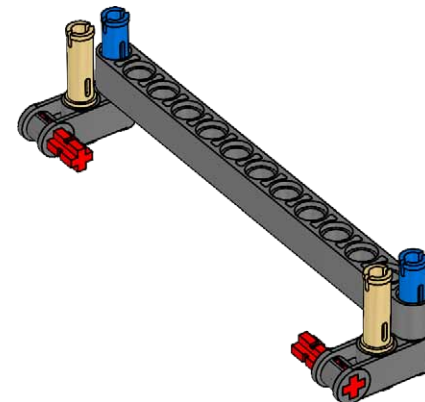
1

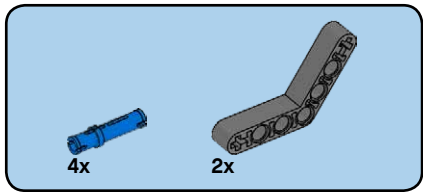


2

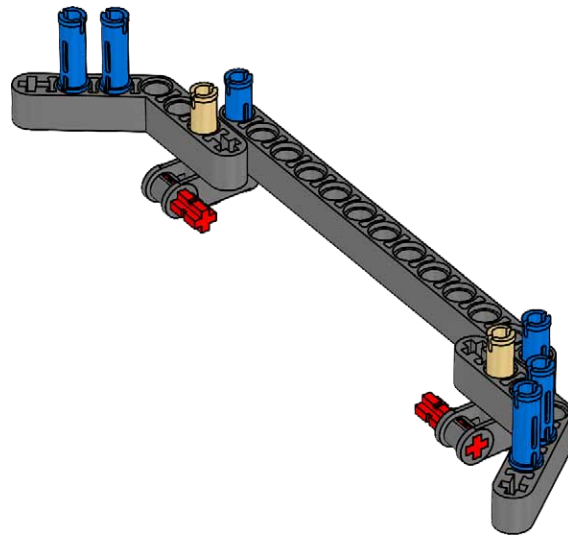


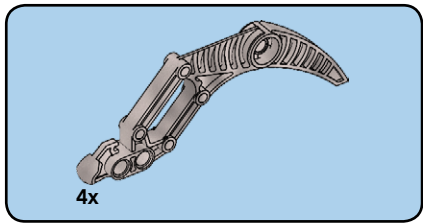
3



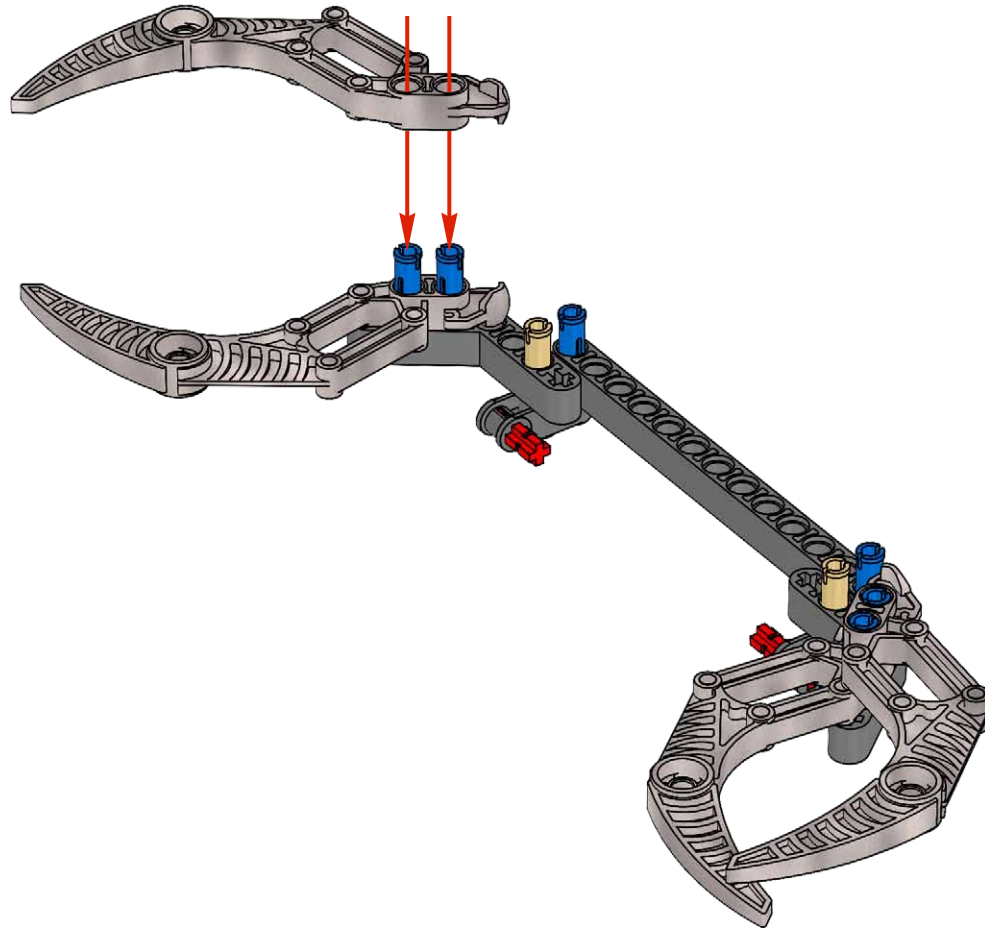


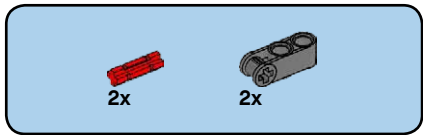
4



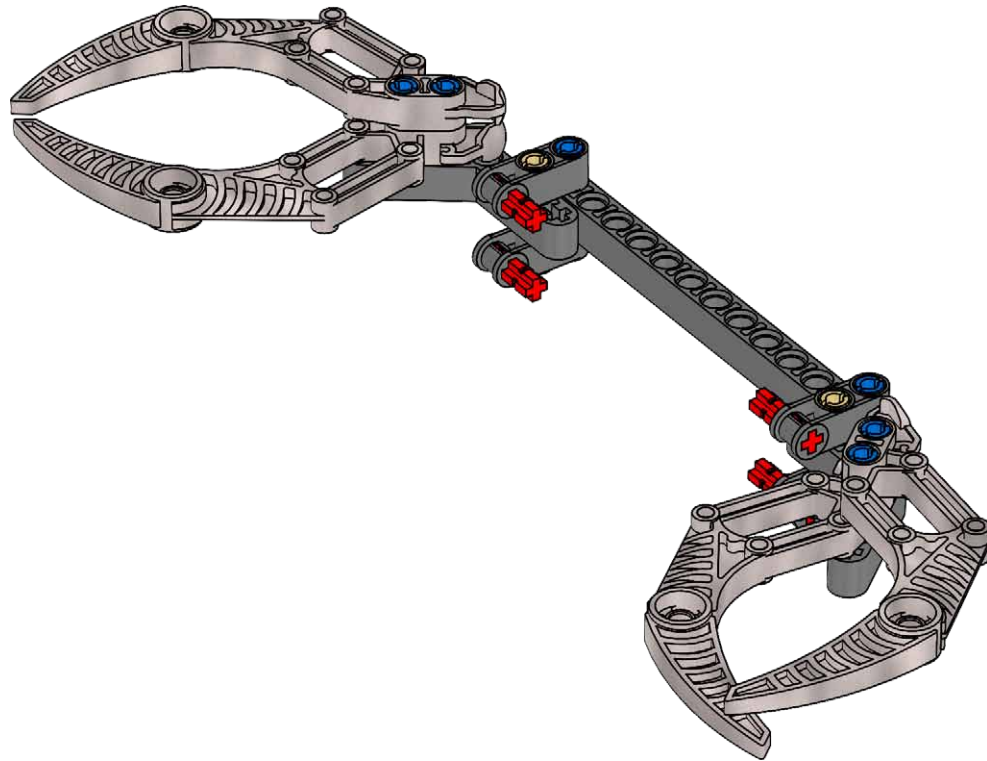


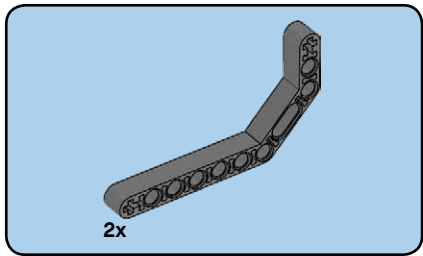
5





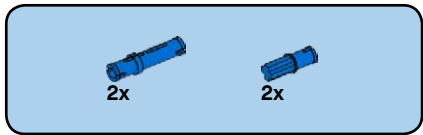
6



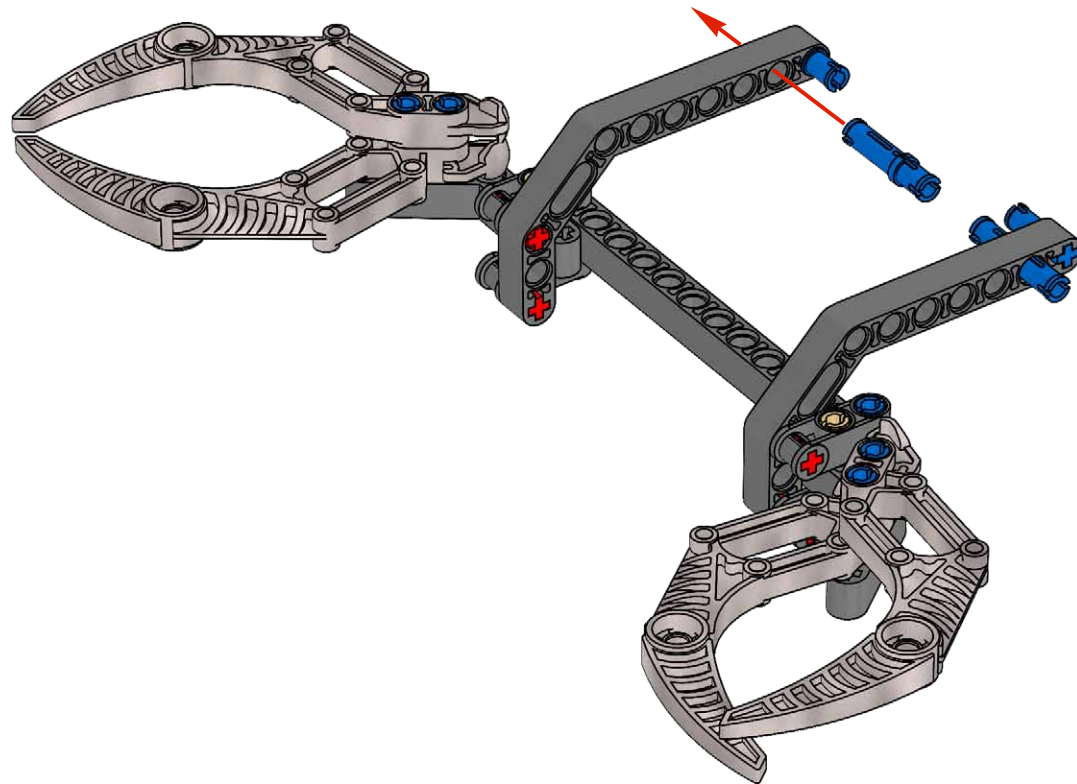


7

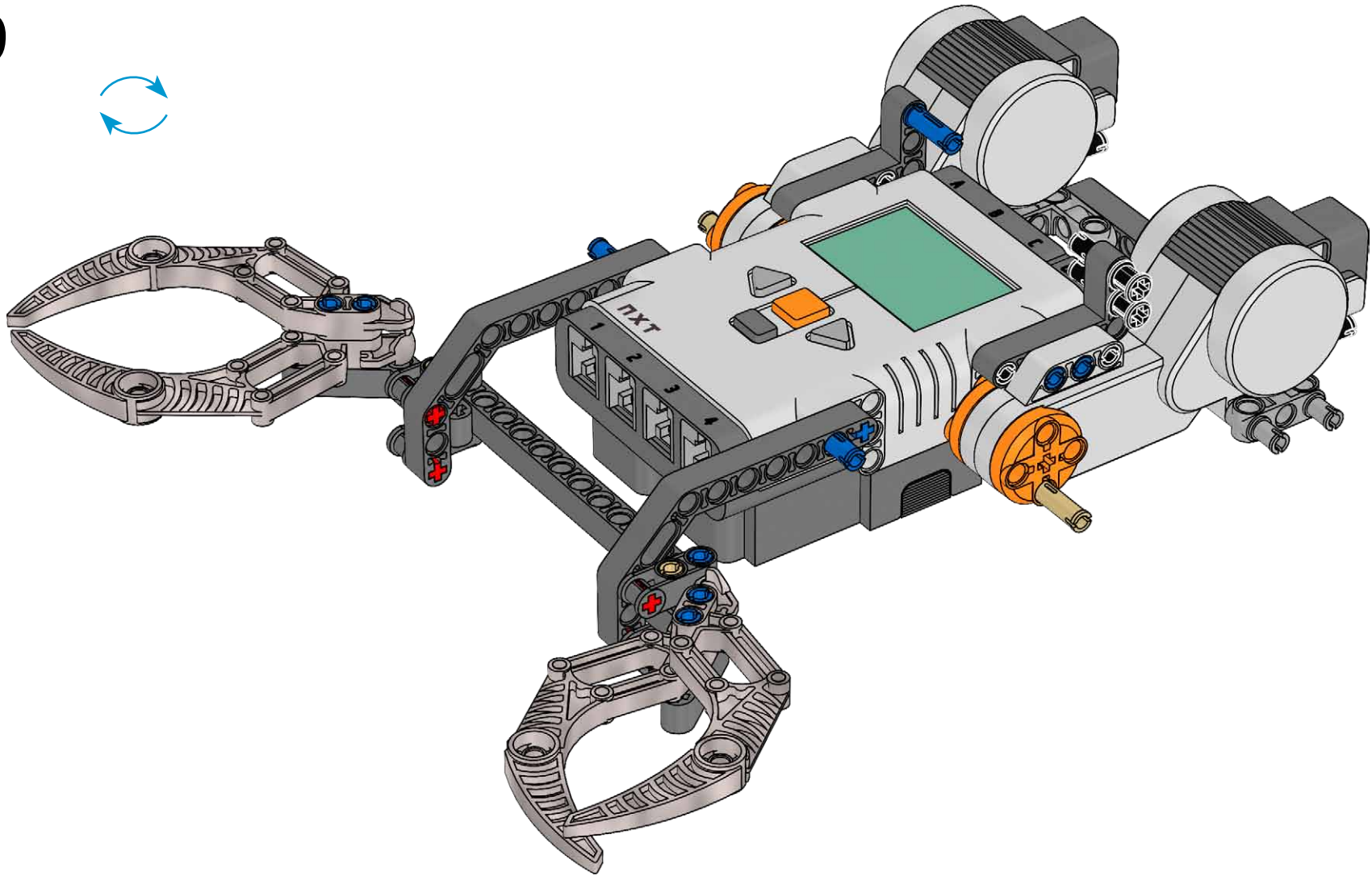


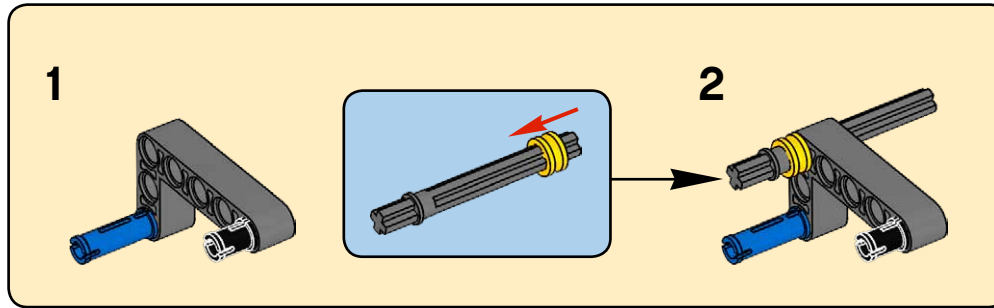
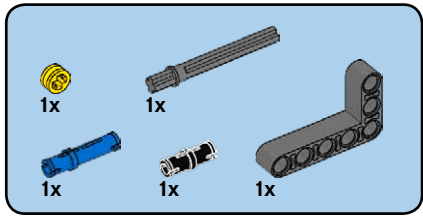


8

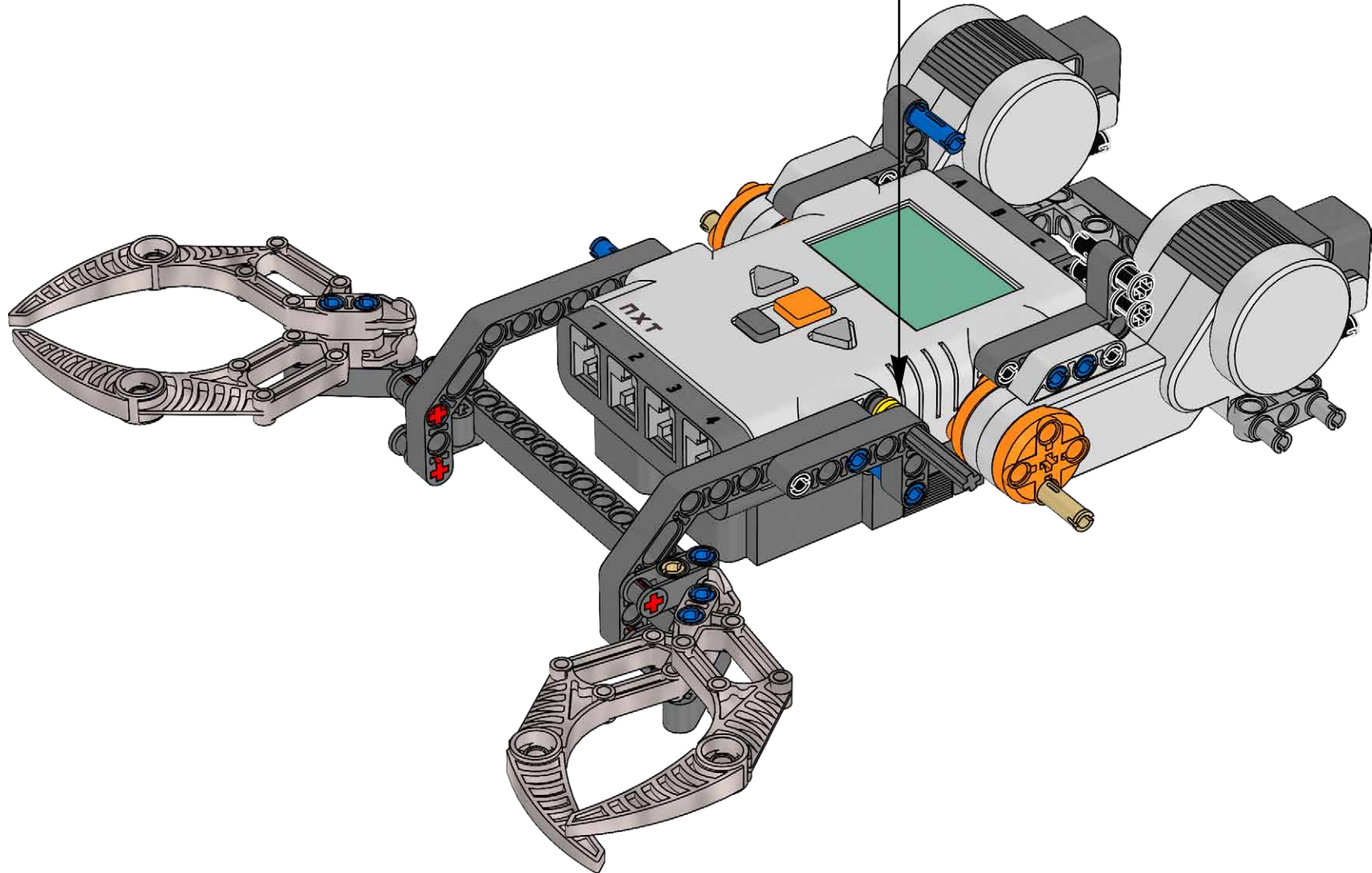


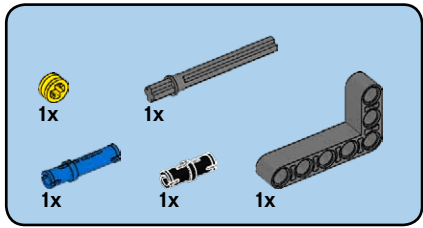
9



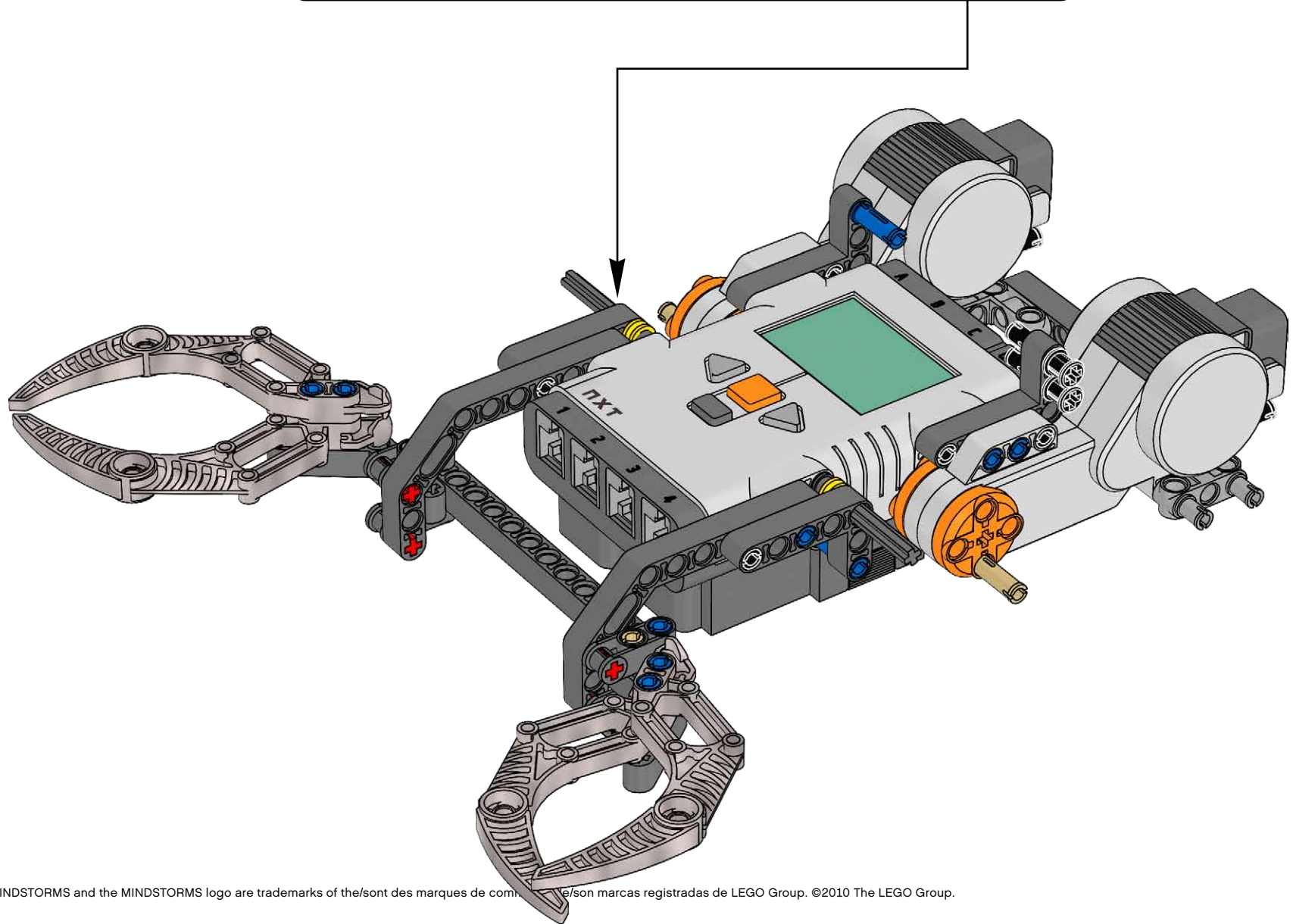
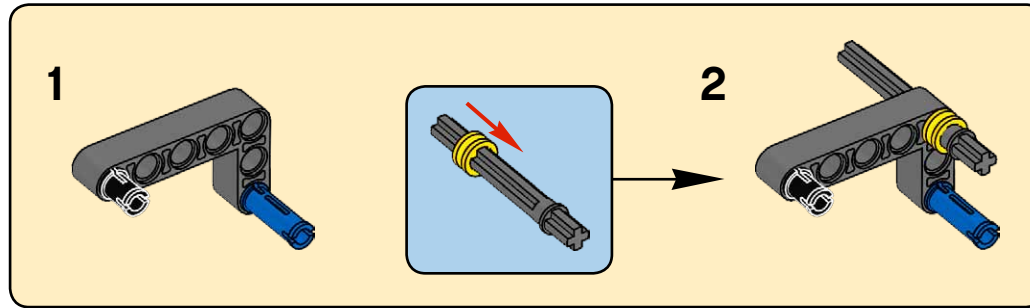


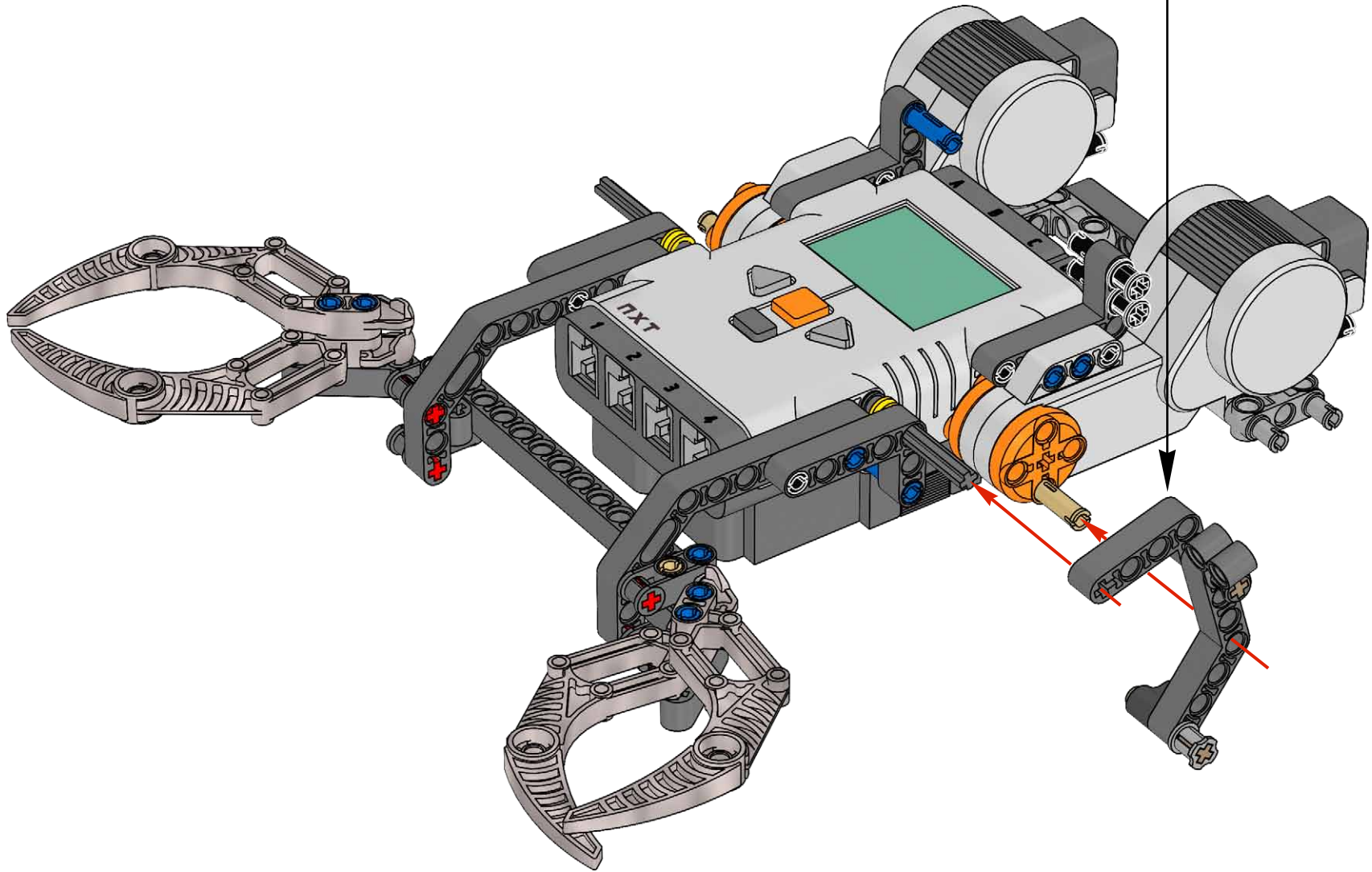
10



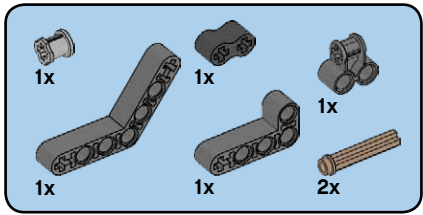


11

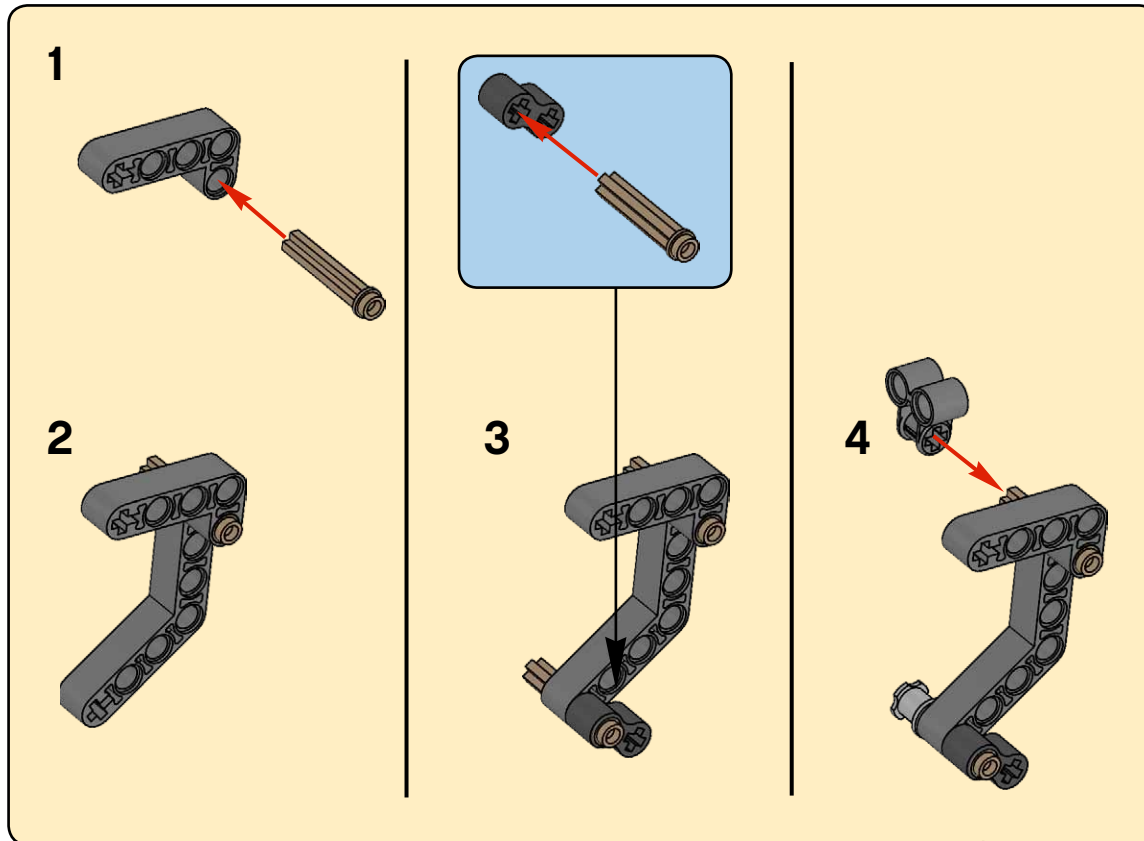


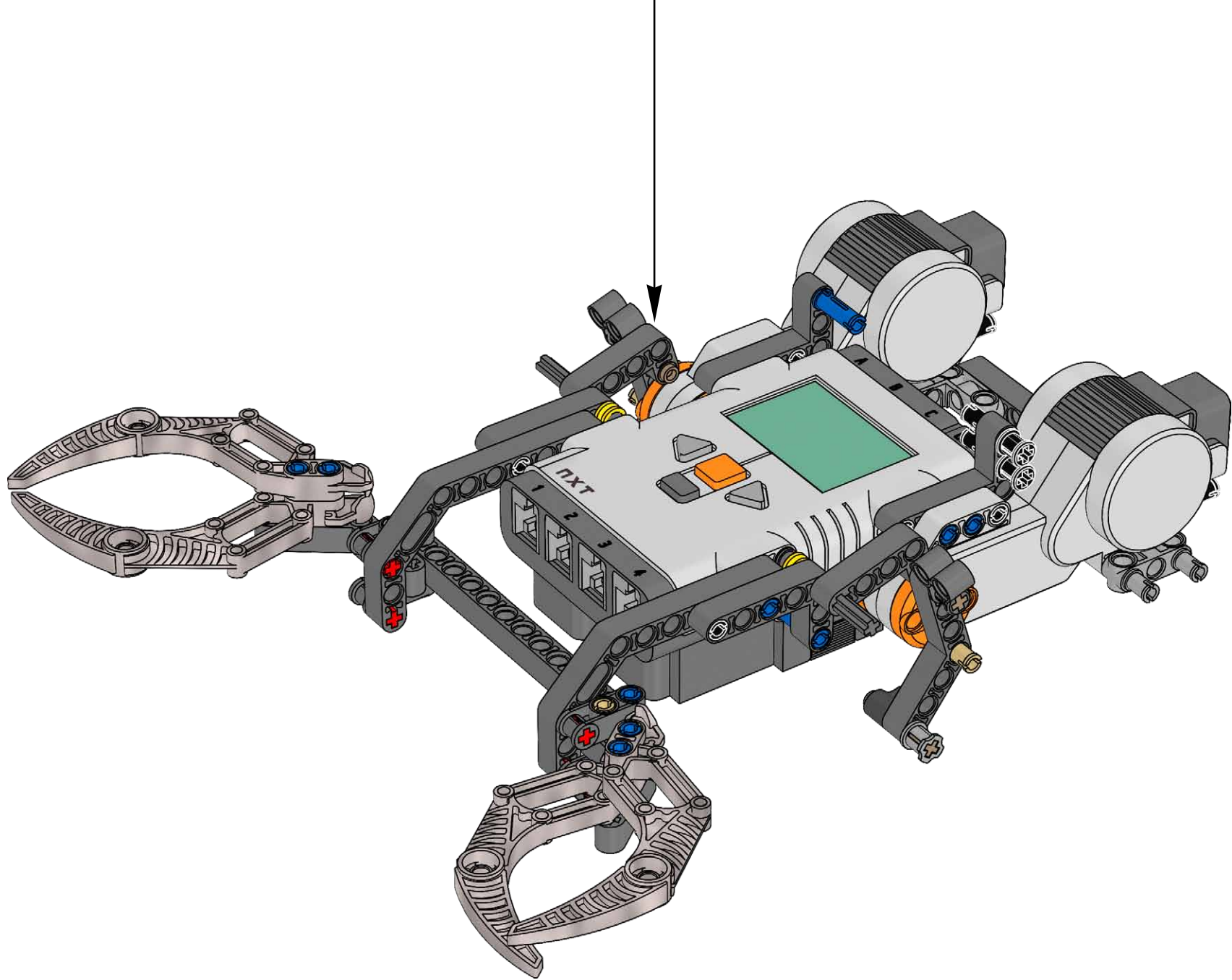


Scorpion

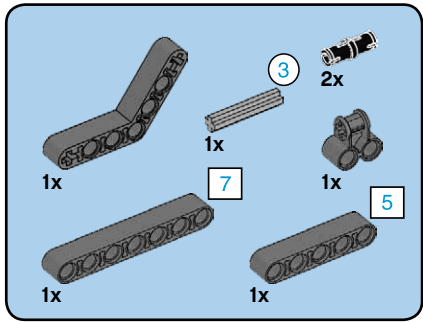


13

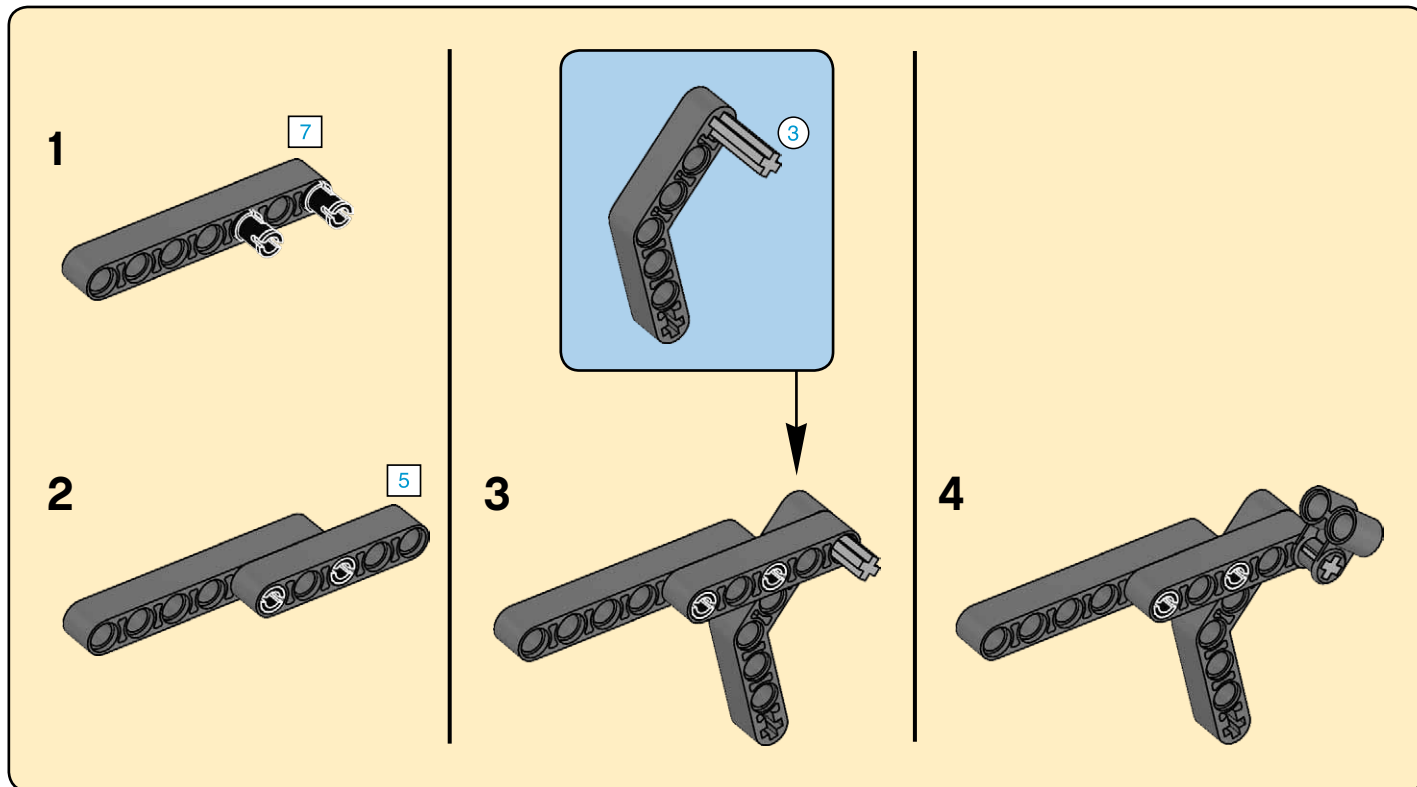


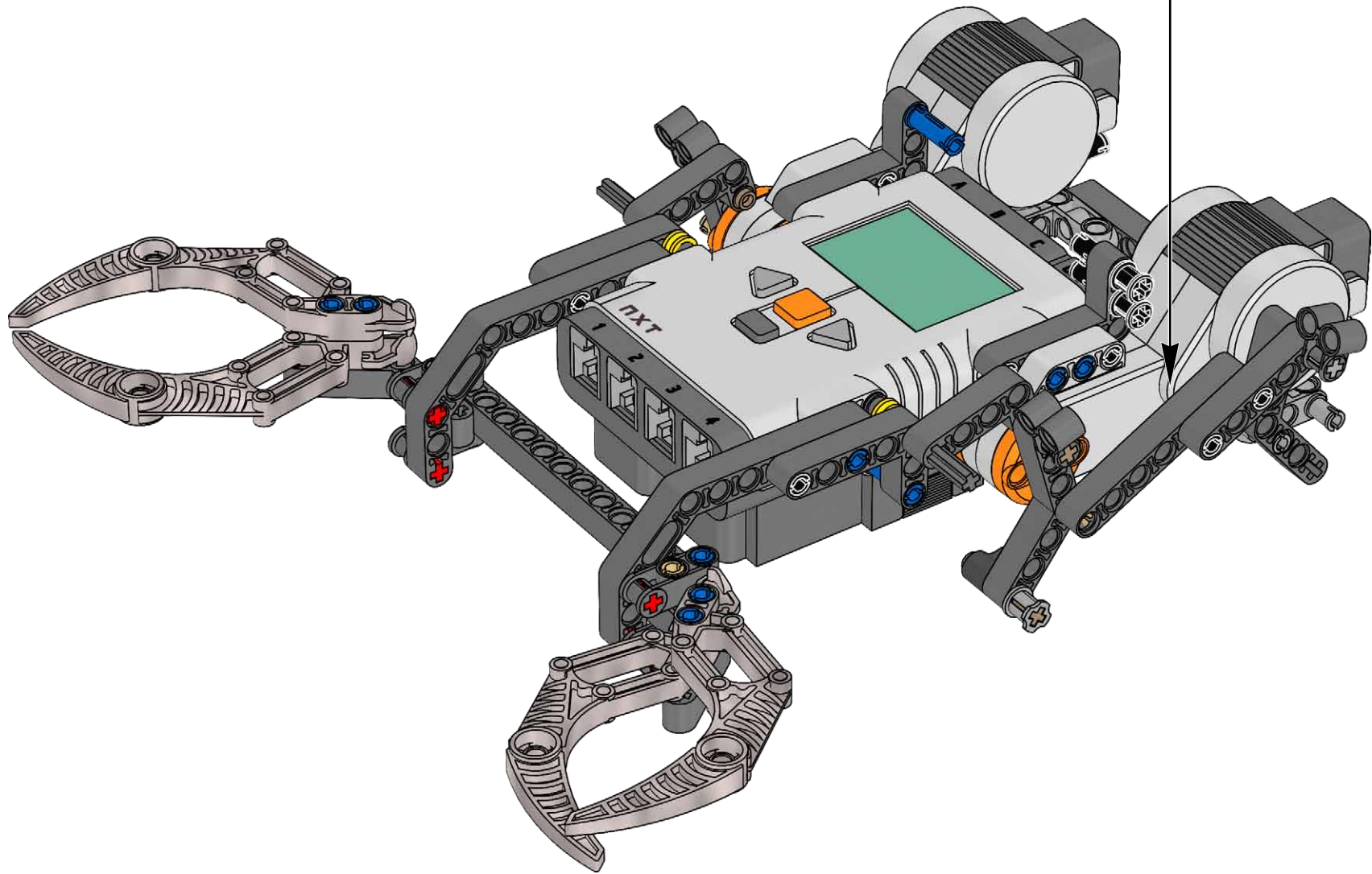


Scorpion



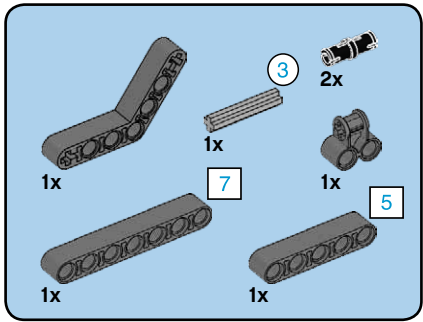
14



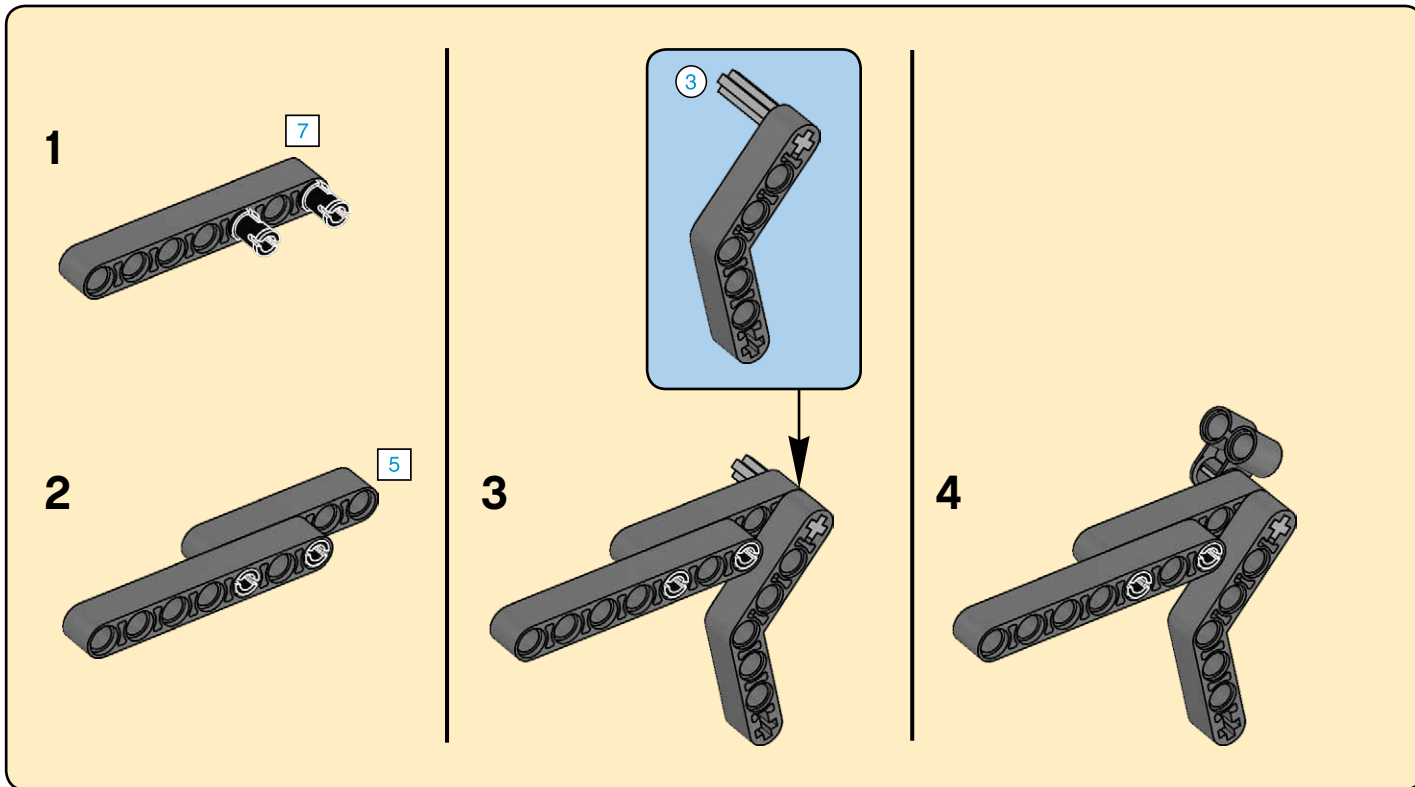


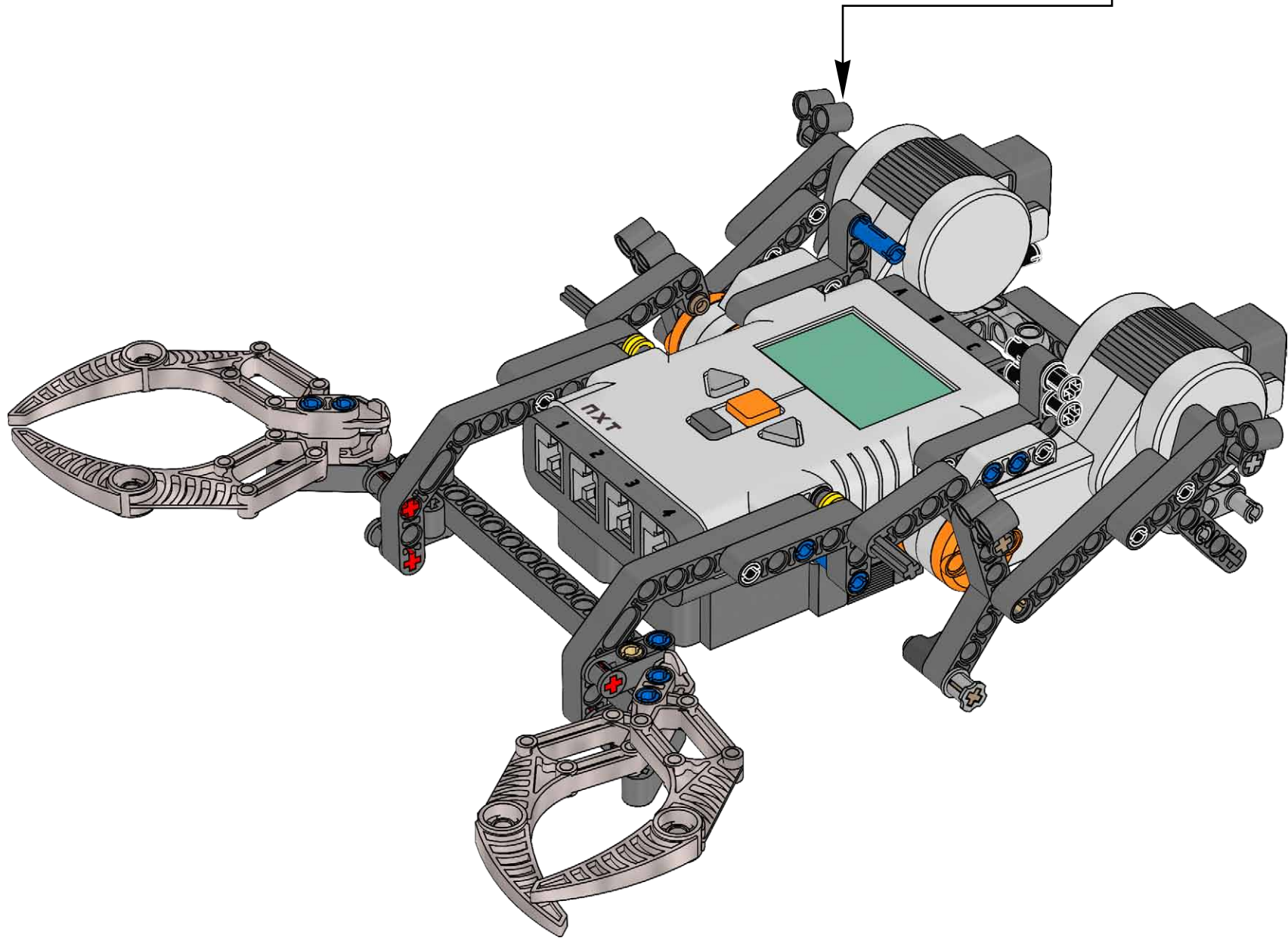
Scorpion

LEGO, the LEGO logo, MINDSTORMS and the MINDSTORMS logo are trademarks of the/son des marques de commerce de/son marcas registradas de LEGO Group. ©2010 The LEGO Group.



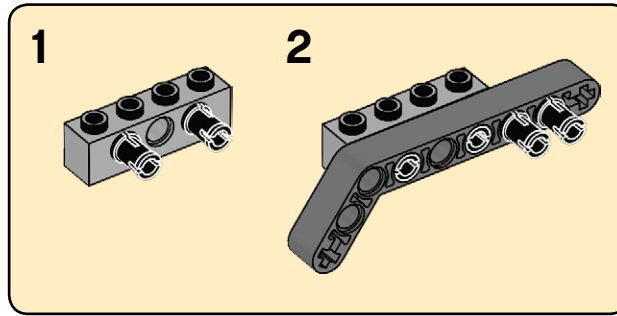
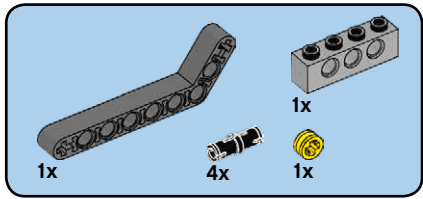
15



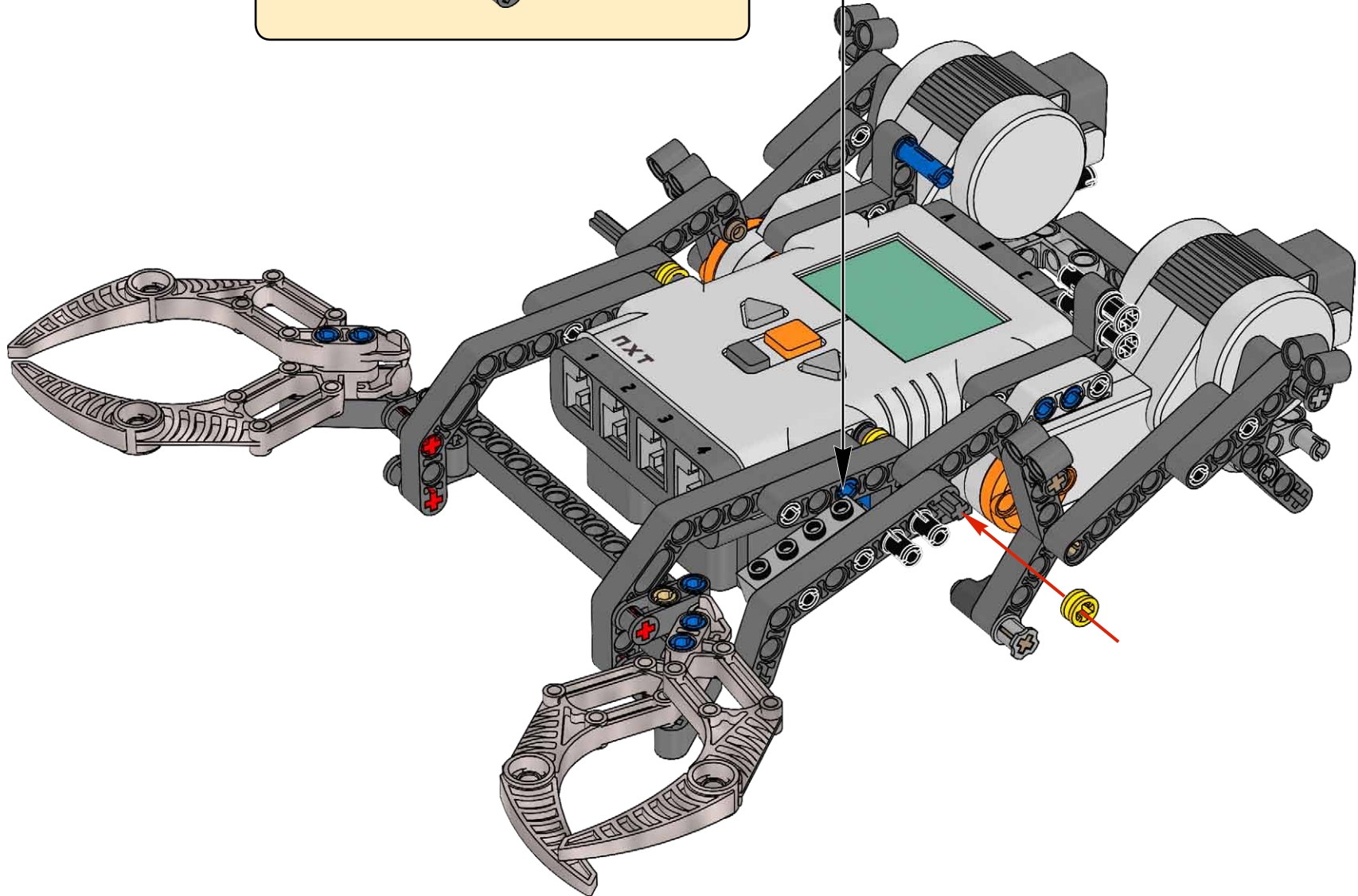


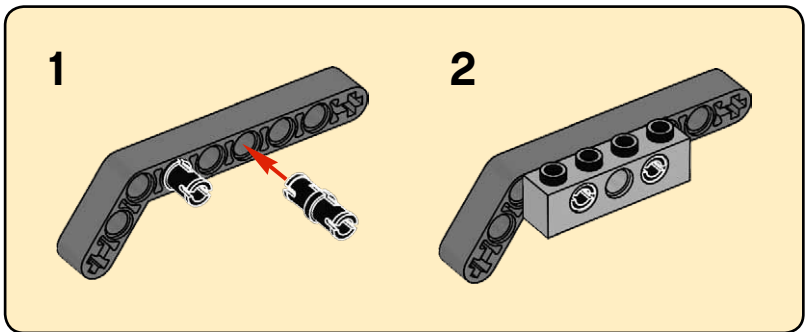
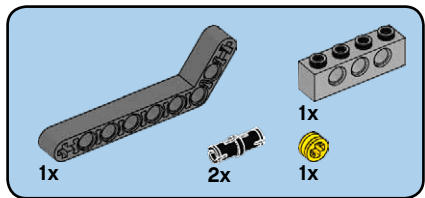
Scorpion

LEGO, the LEGO logo, MINDSTORMS and the MINDSTORMS logo are trademarks of the/son des marques de commerce de/son marcas registradas de LEGO Group. ©2010 The LEGO Group.

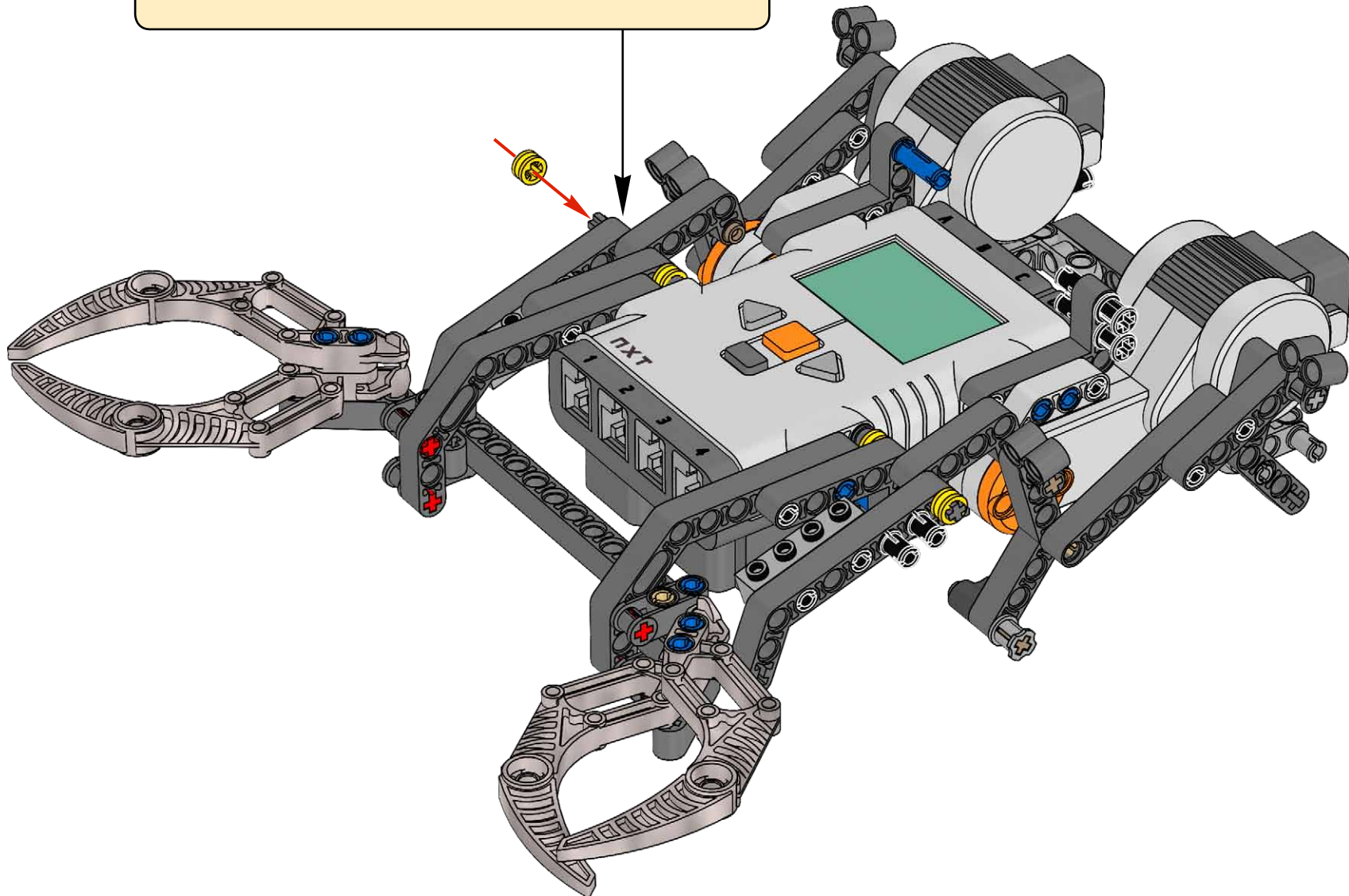


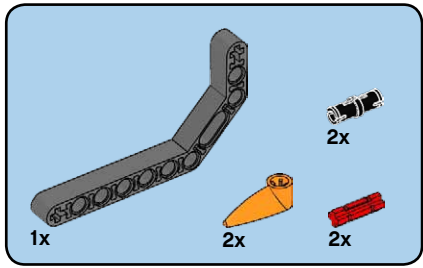
16



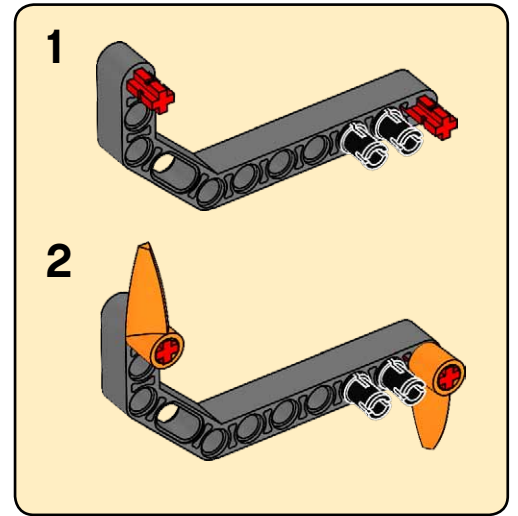
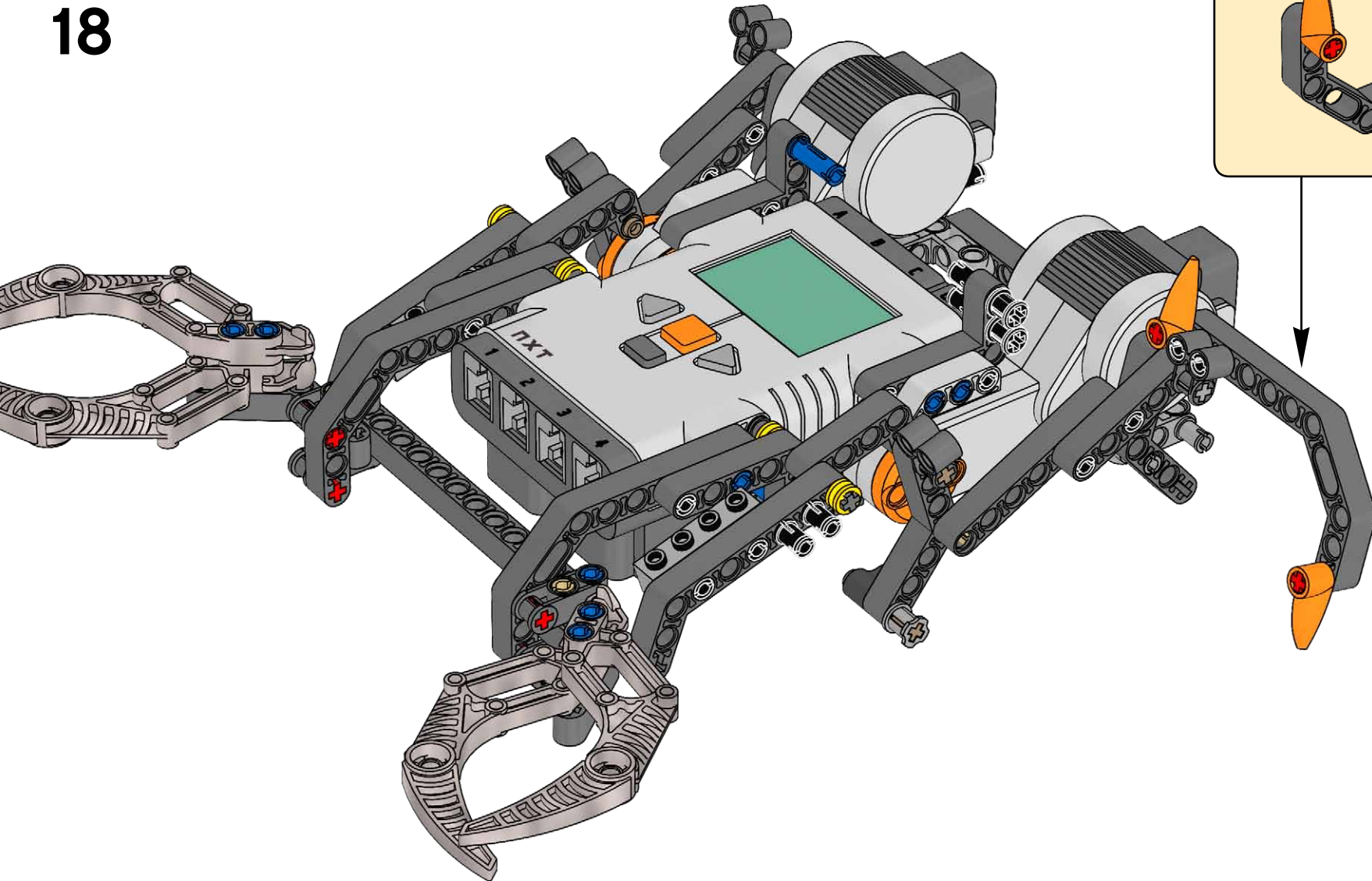


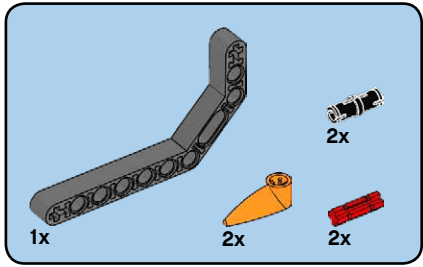
17



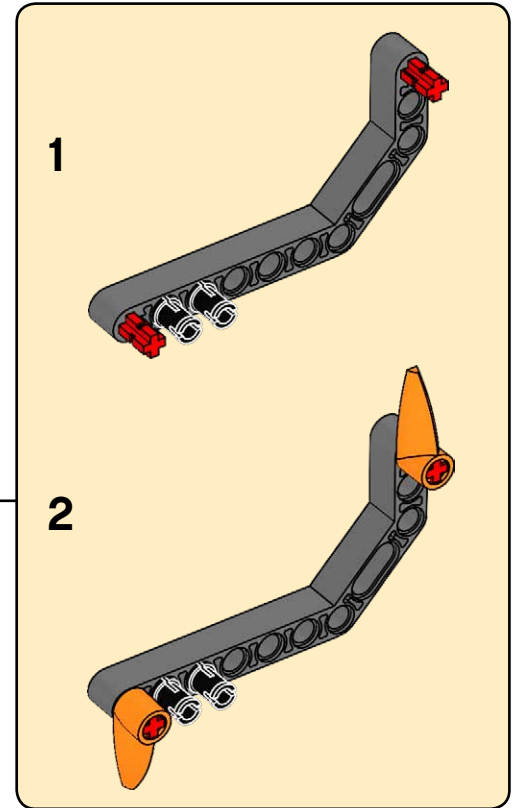
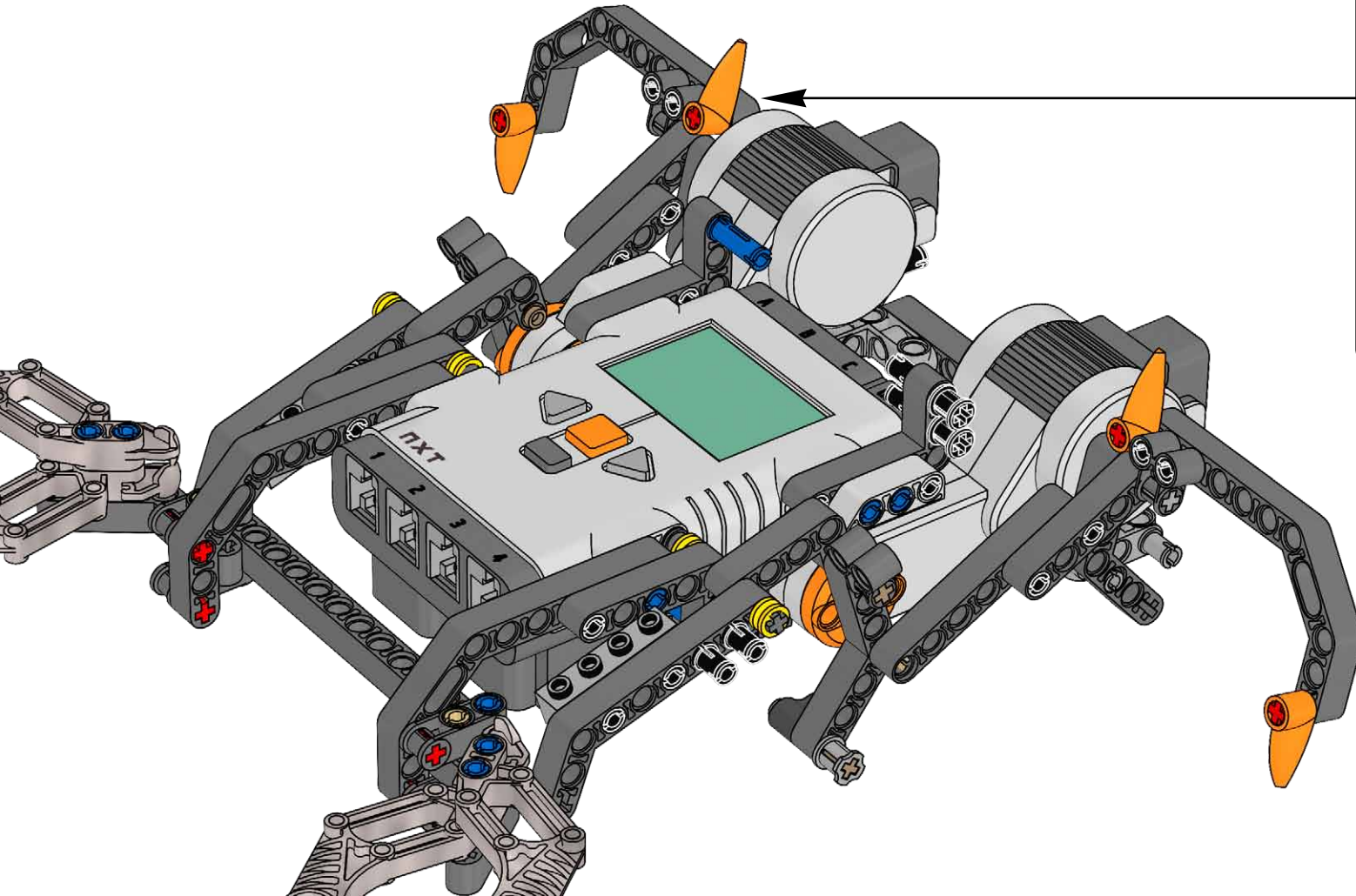


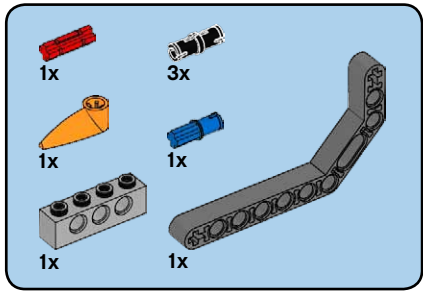
18



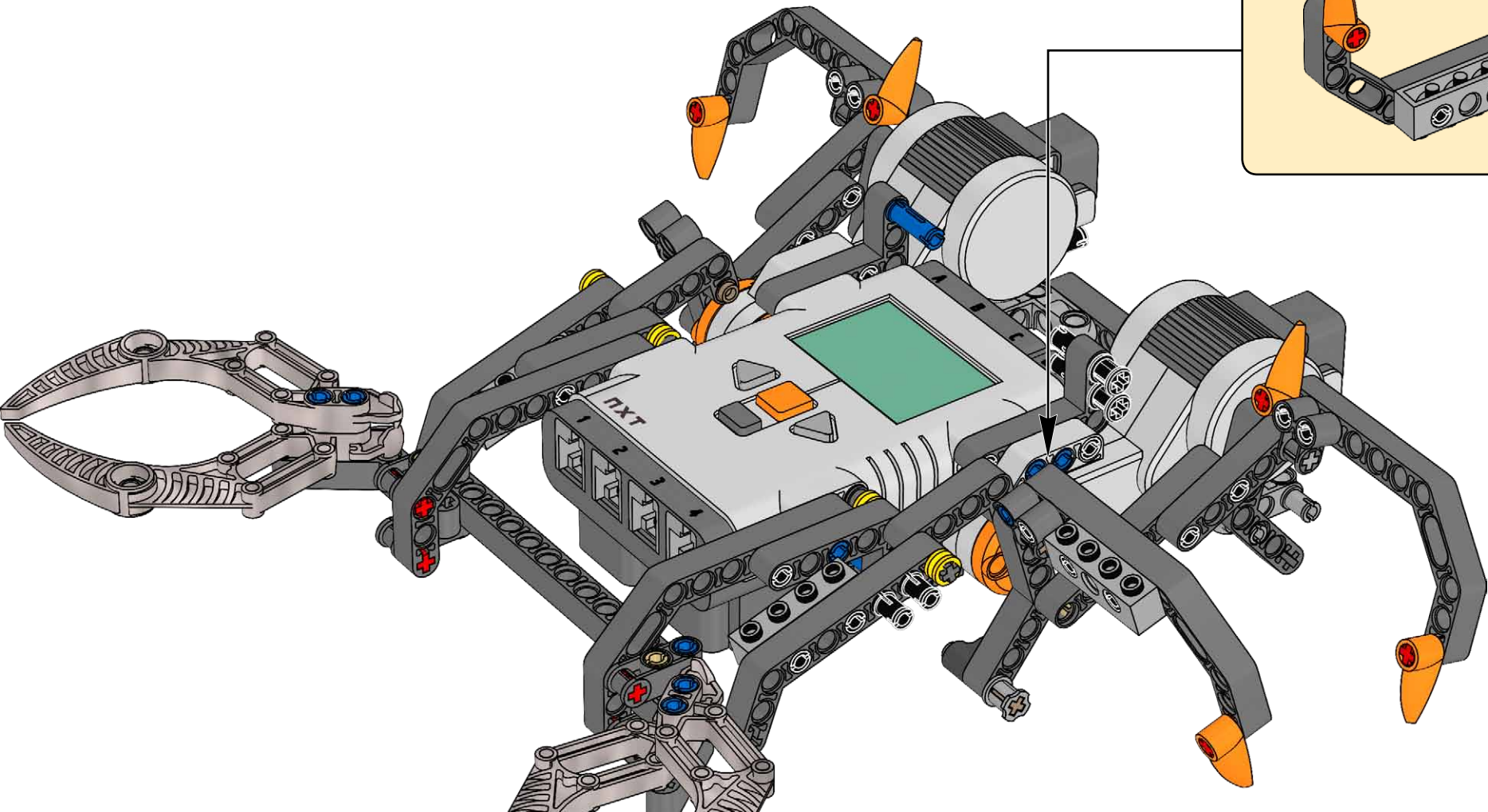
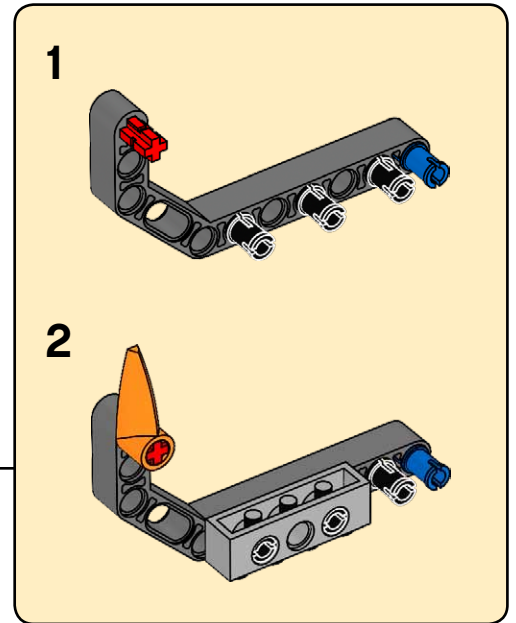


19

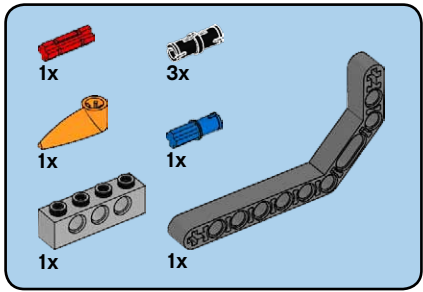




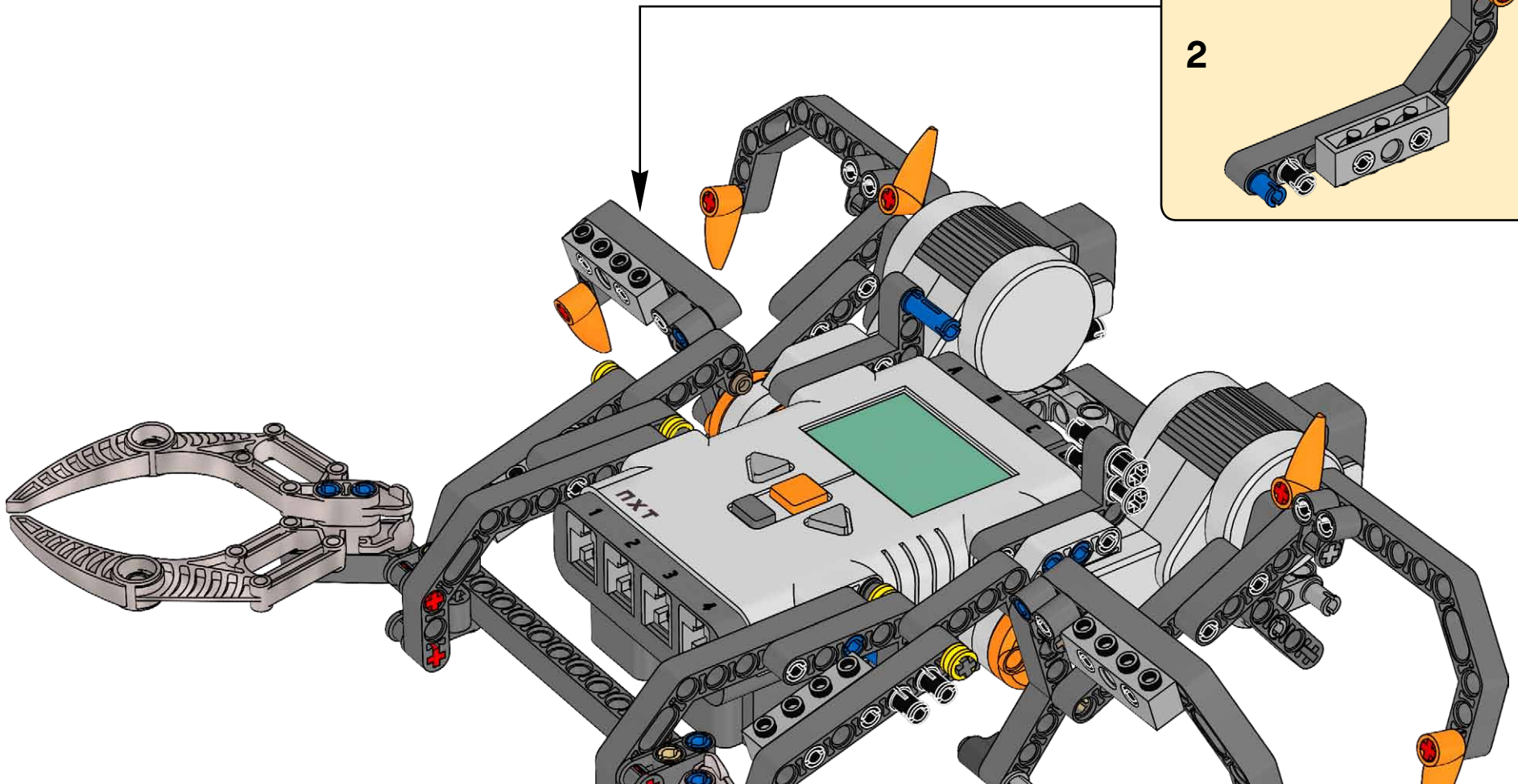
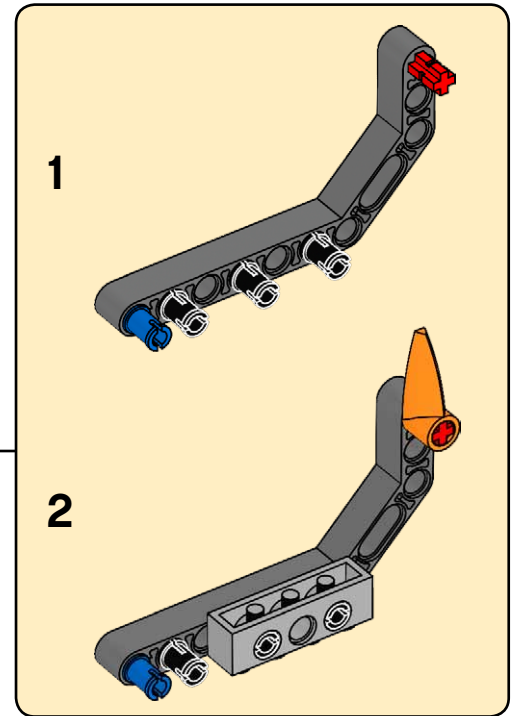
20

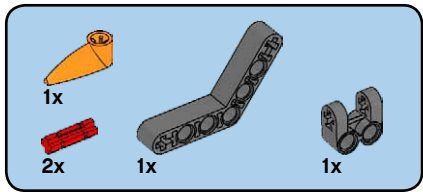


Scorpion

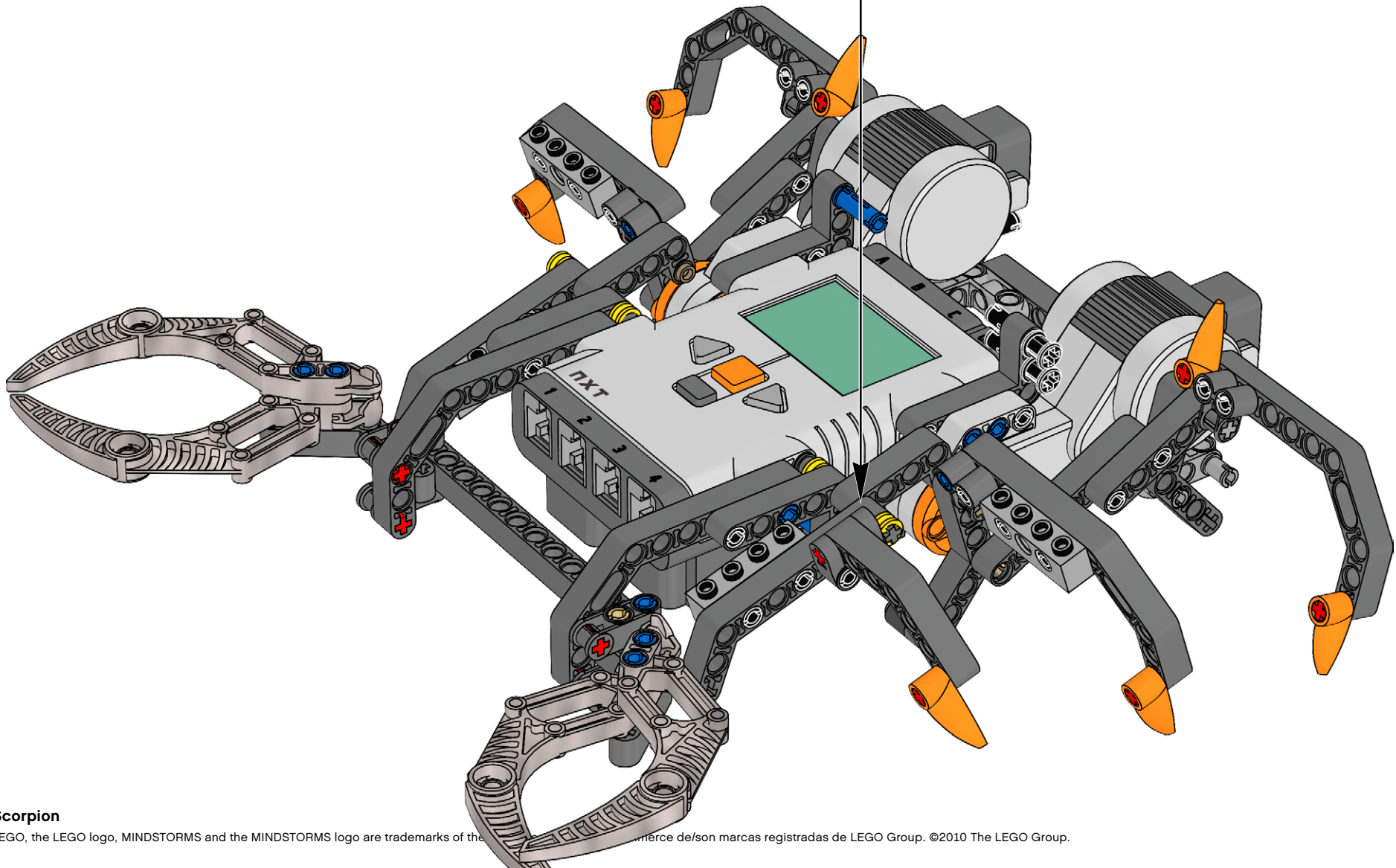
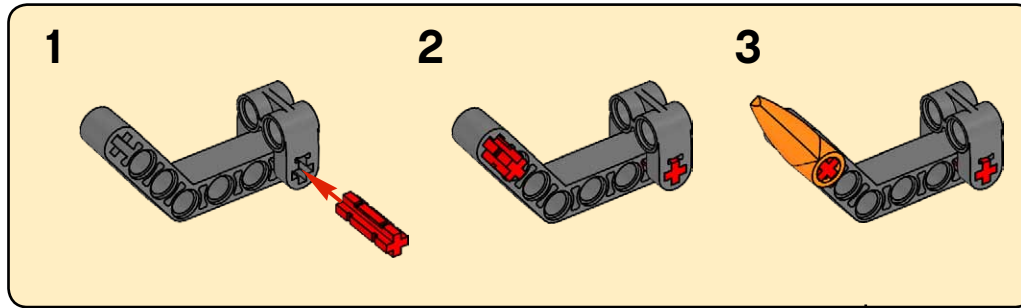


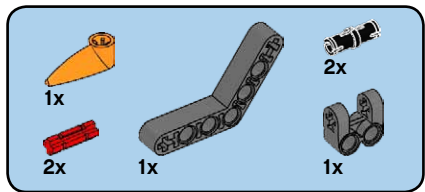
21



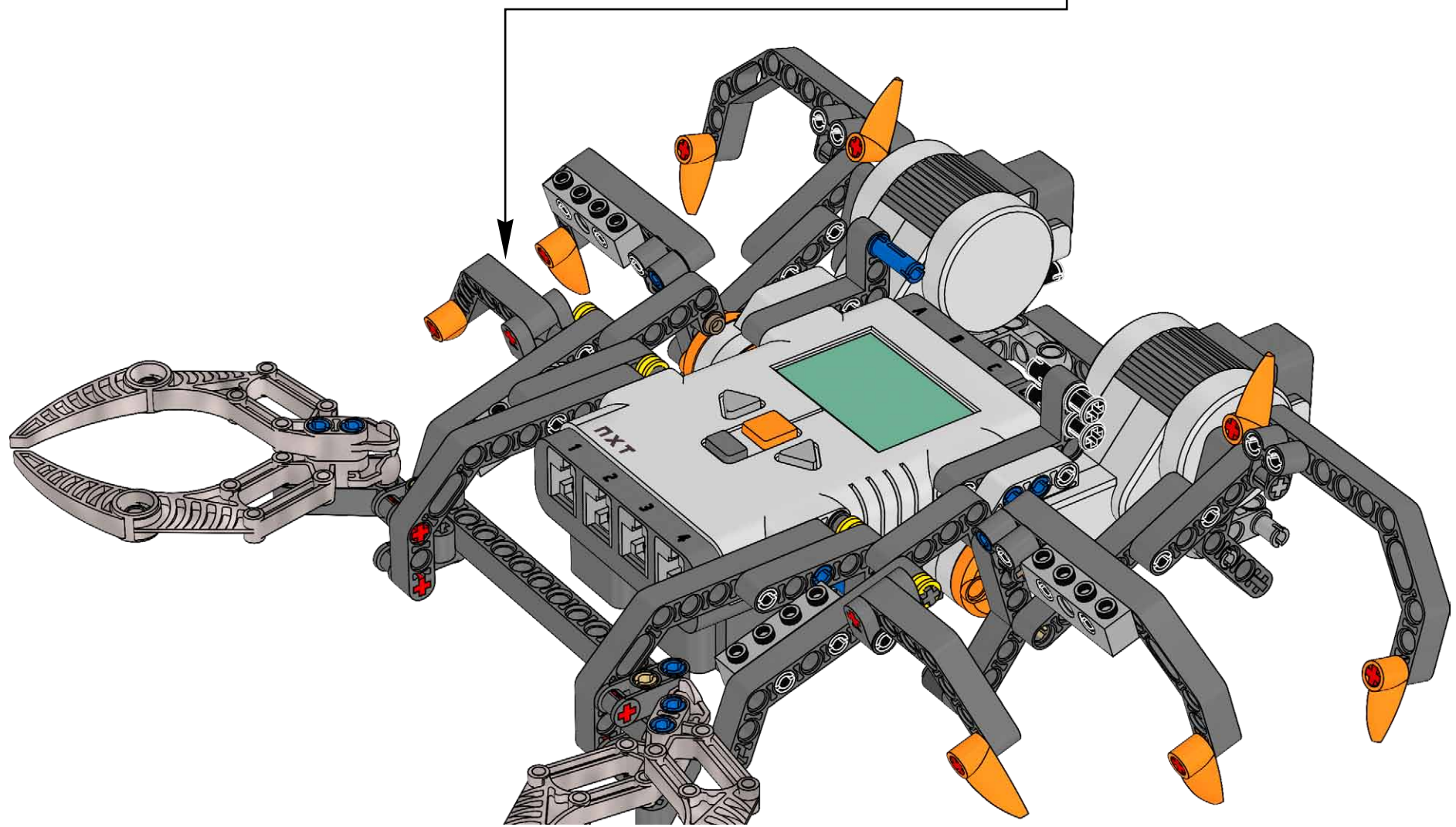
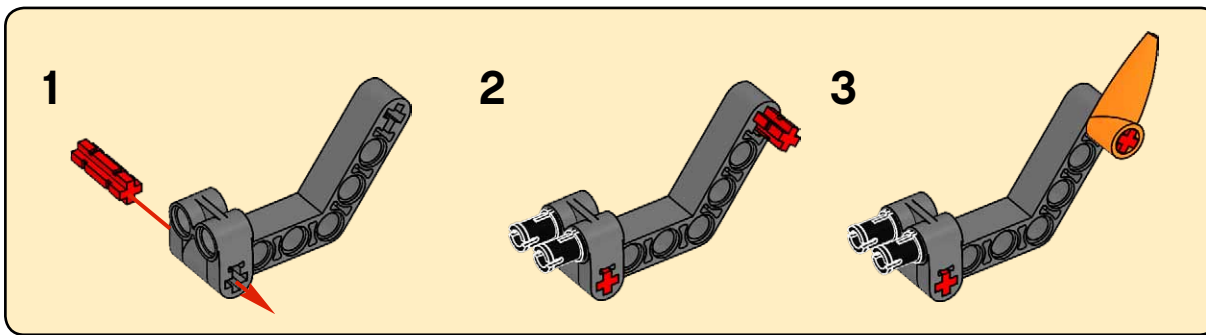


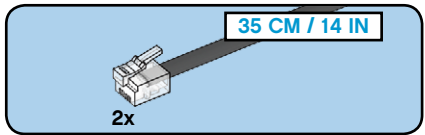
22



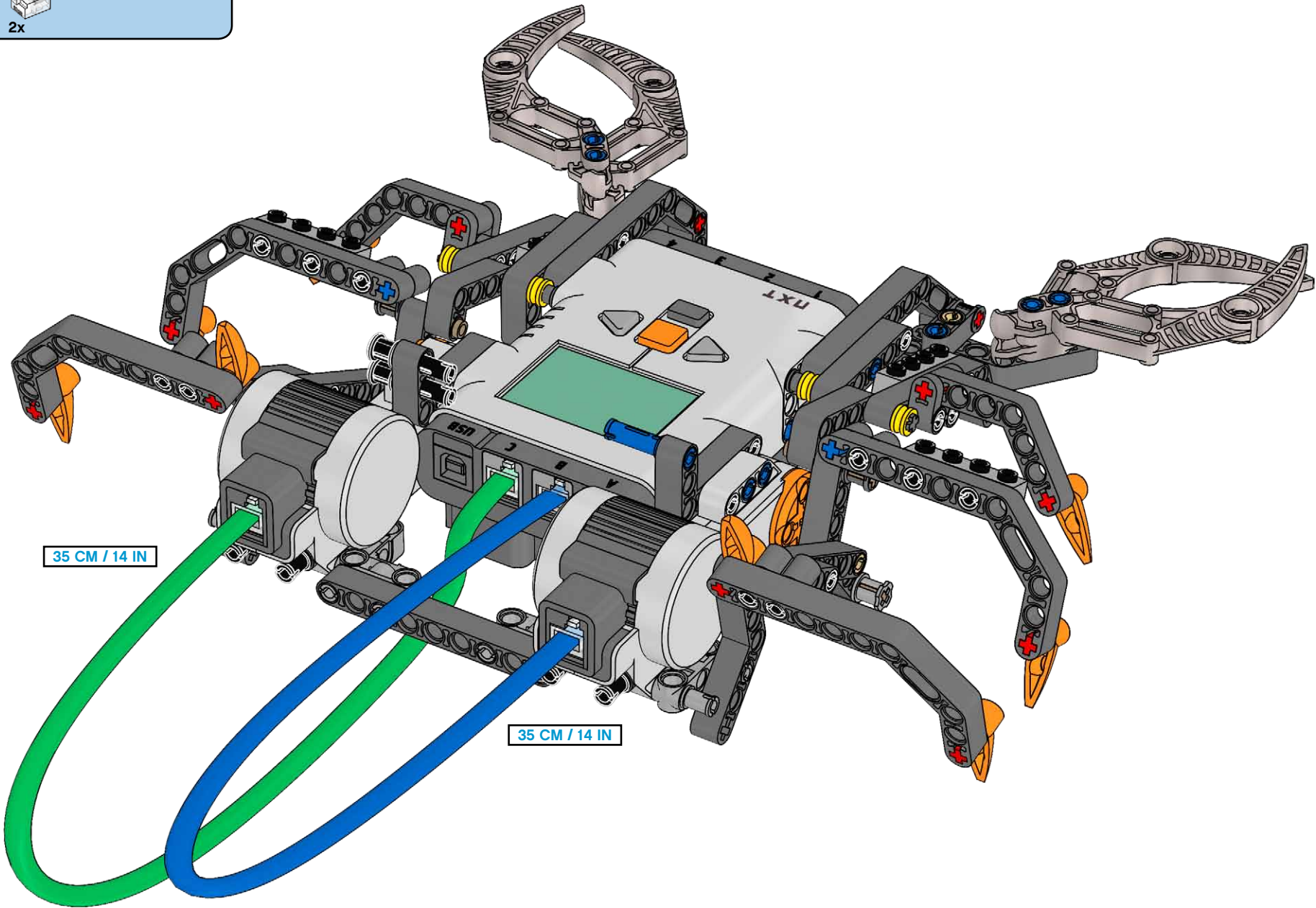


23

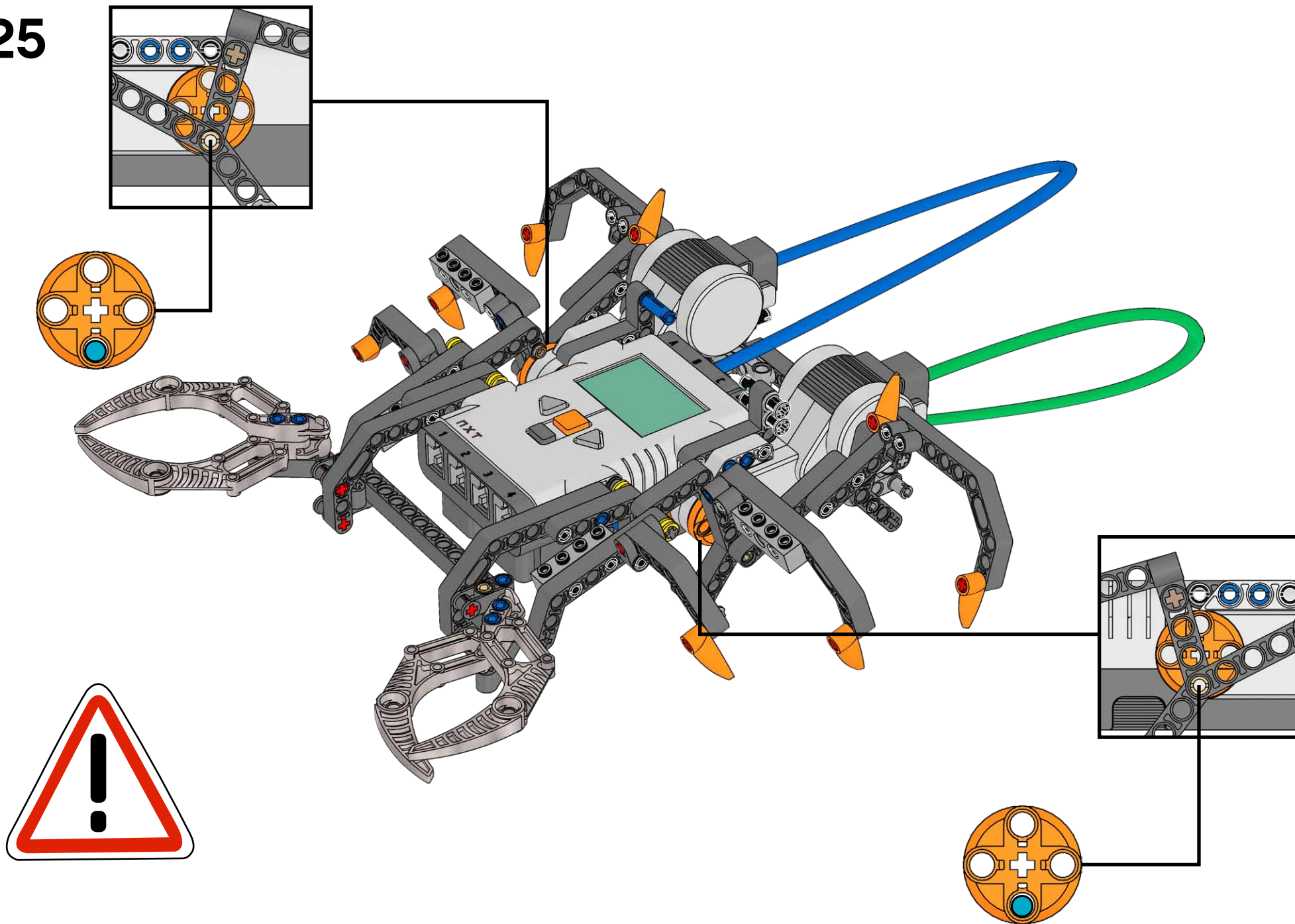


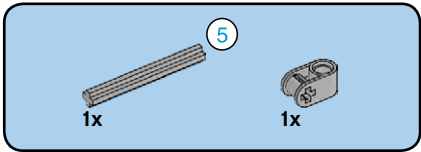
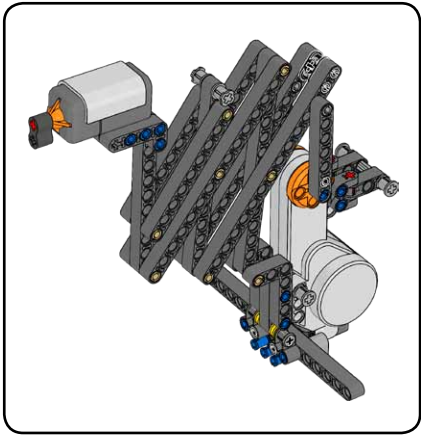


24

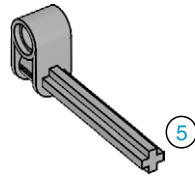


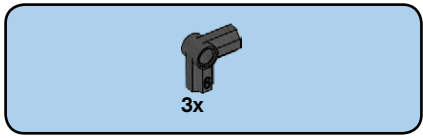
25



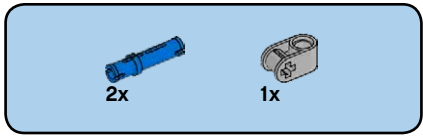
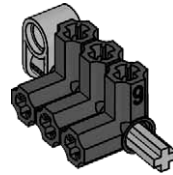


1

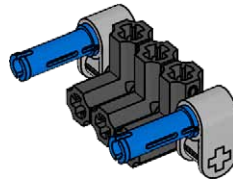


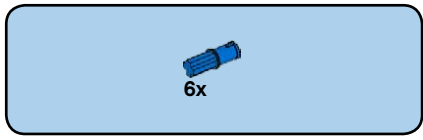


2

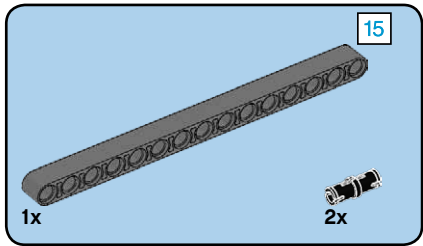
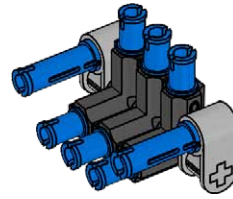


3

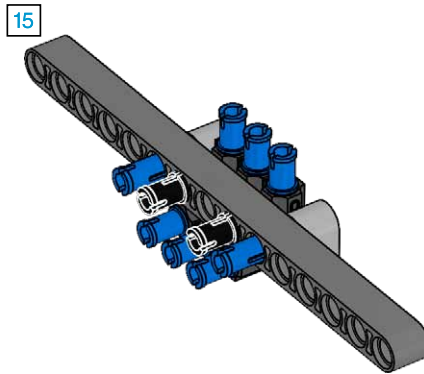


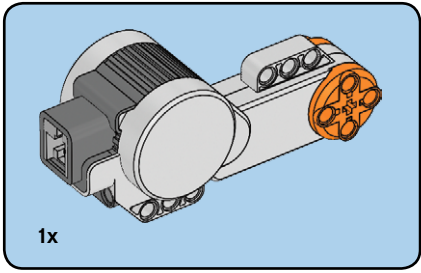


4

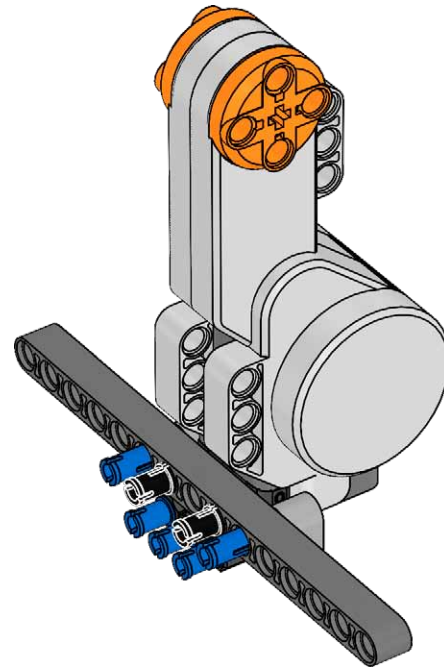


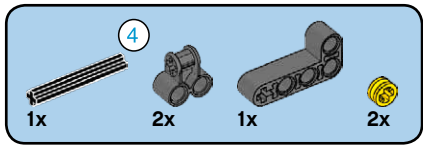
5



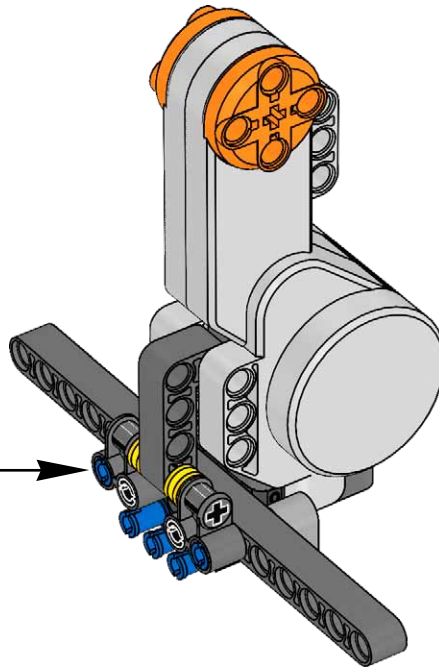
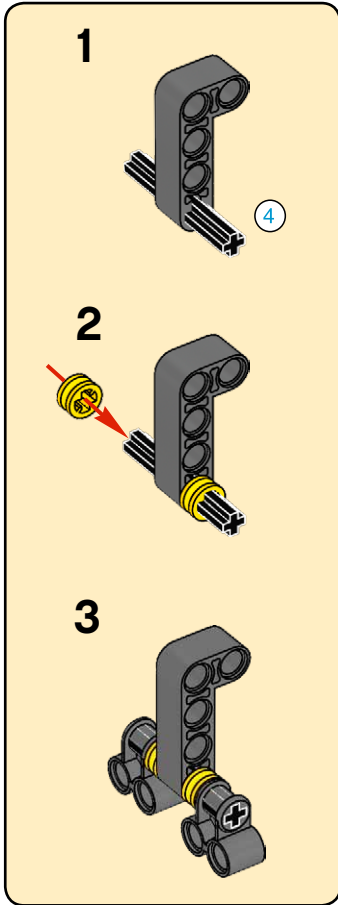


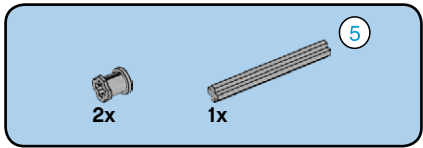
6



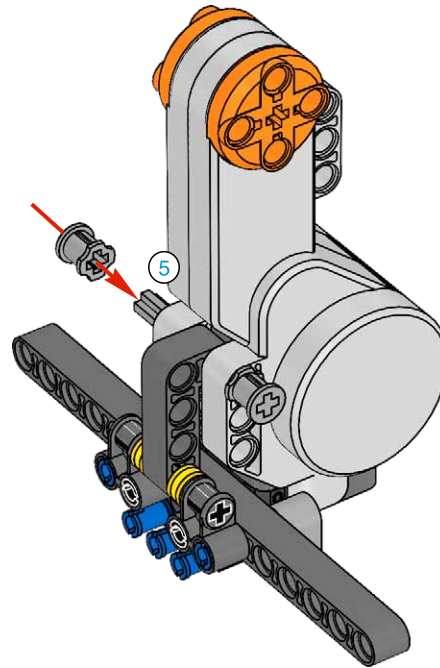


7



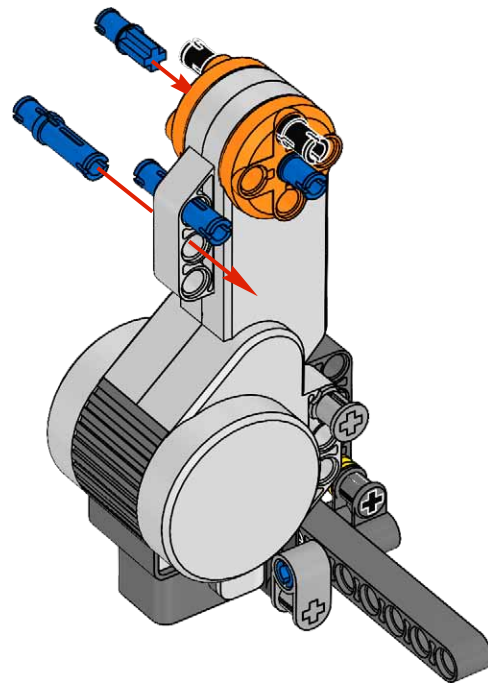


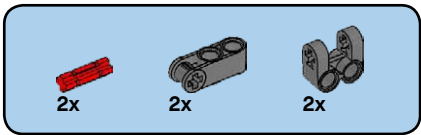
8



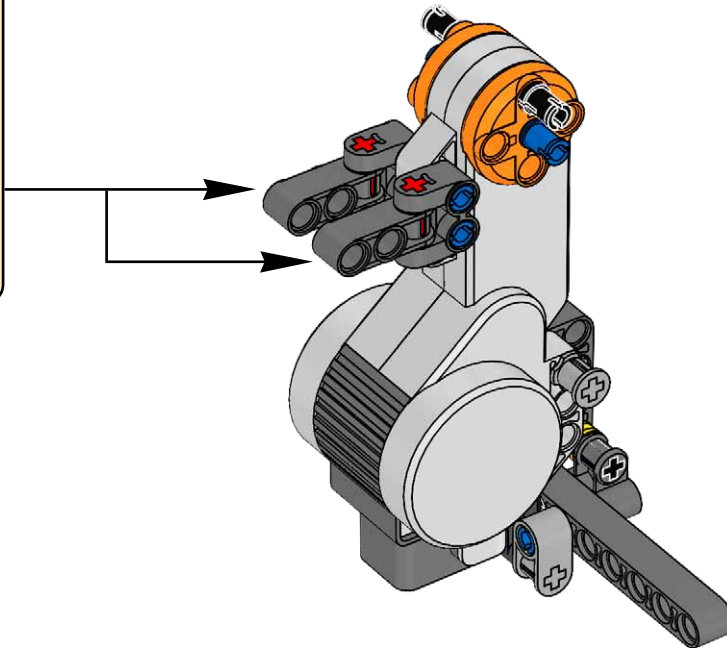
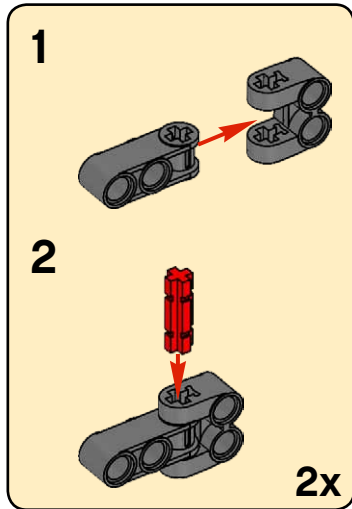


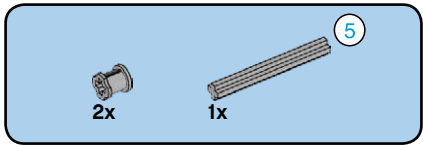
9



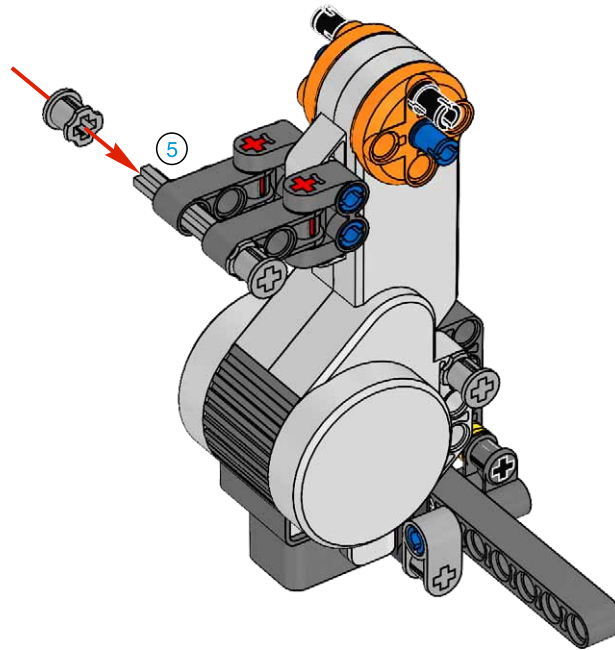


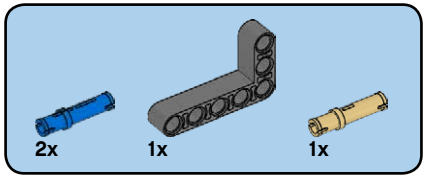
10



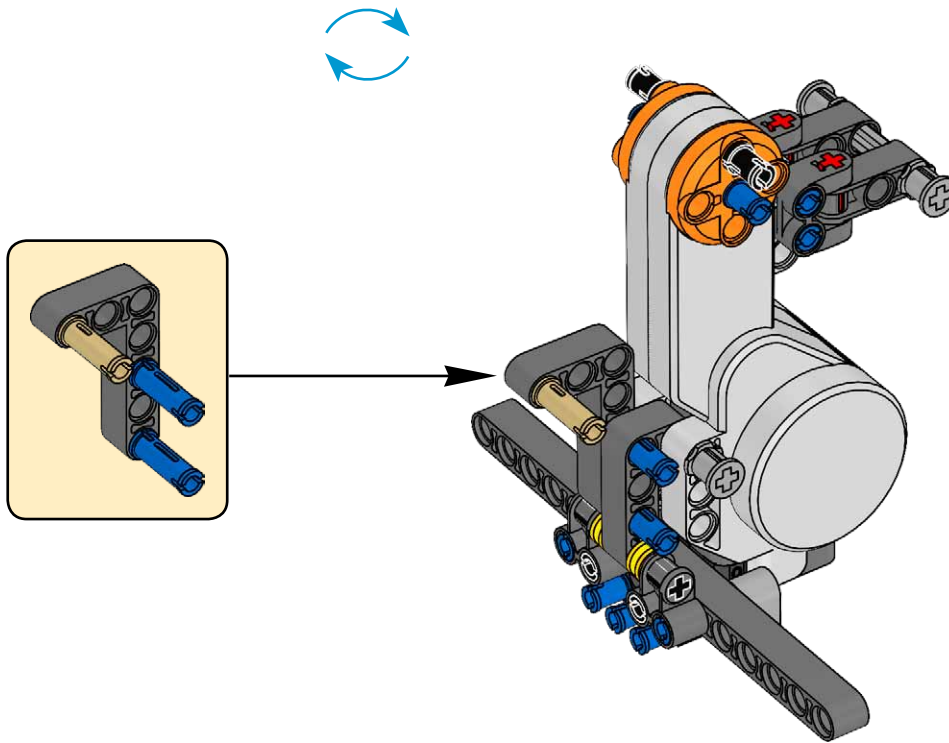


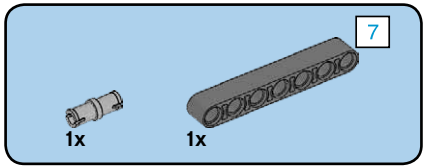
11



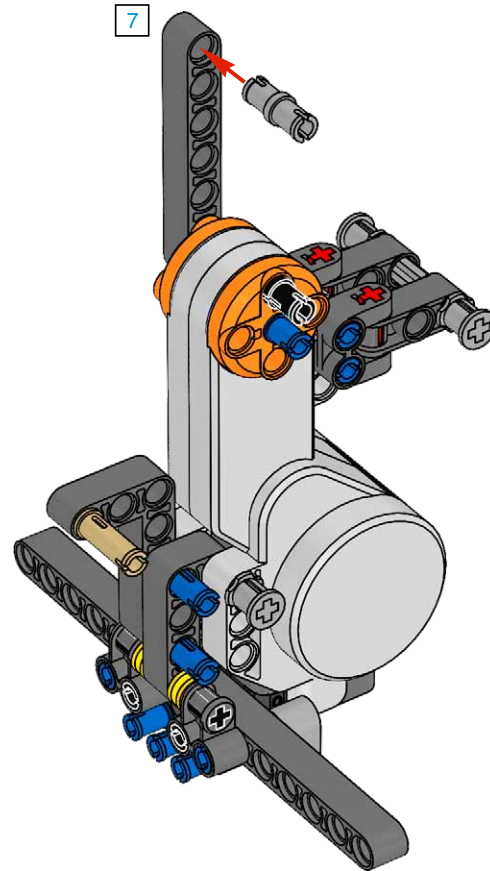


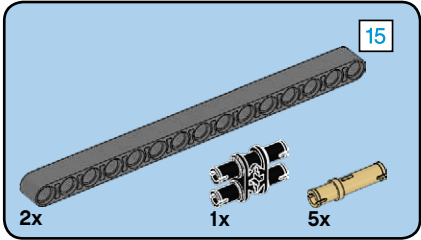
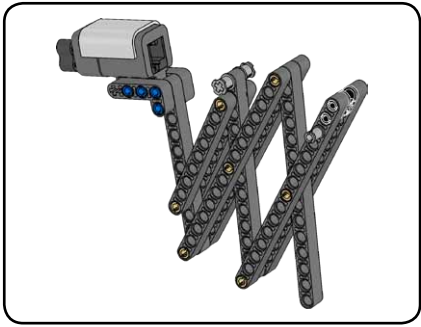
12



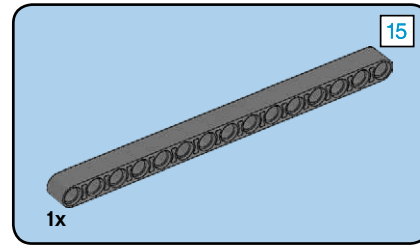
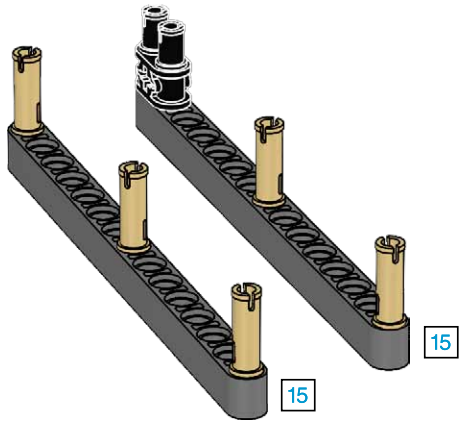


13

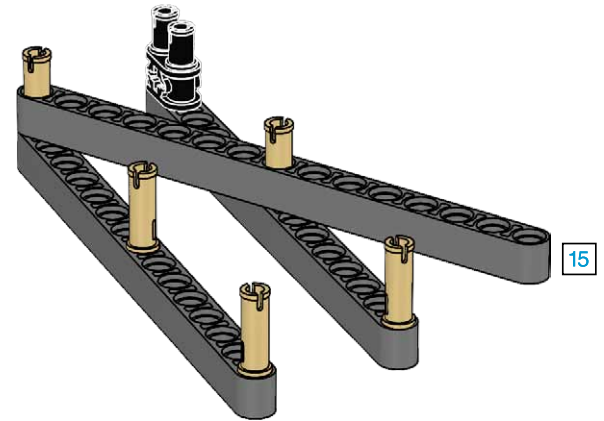


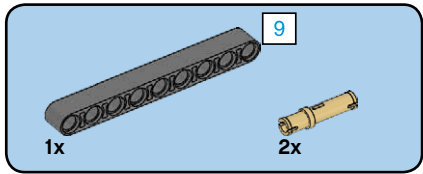


1

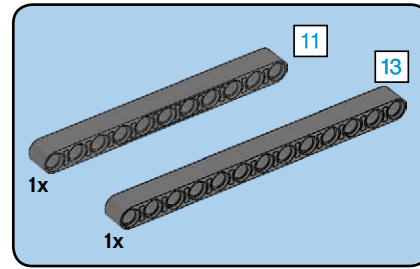
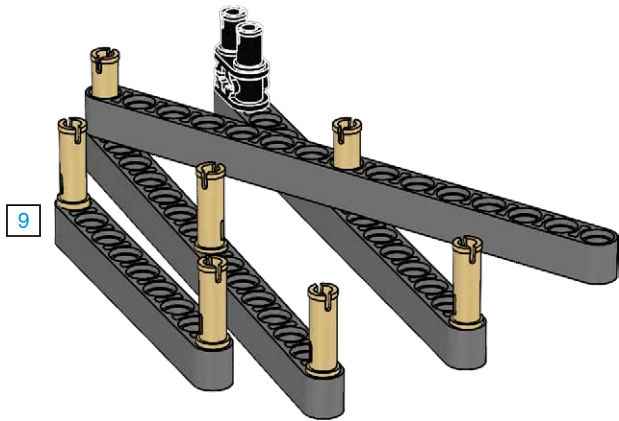


2

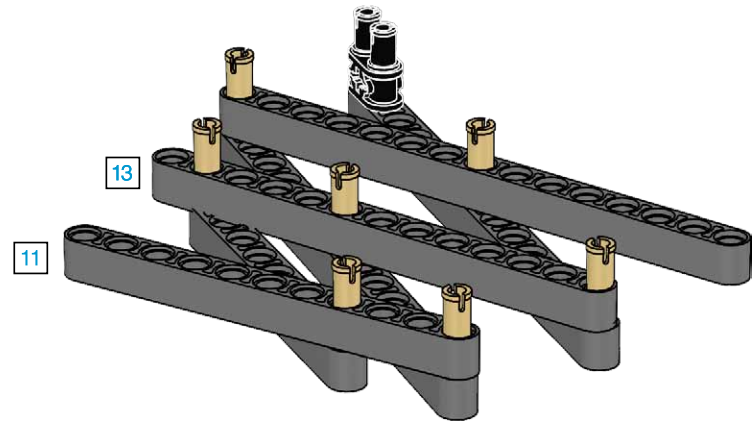


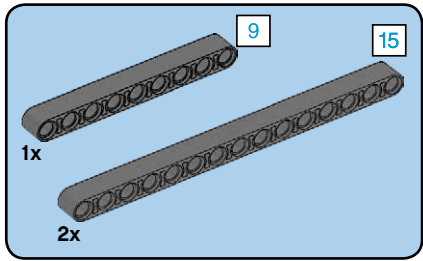


3

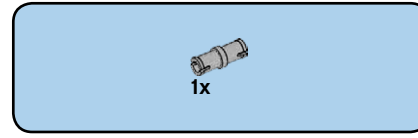
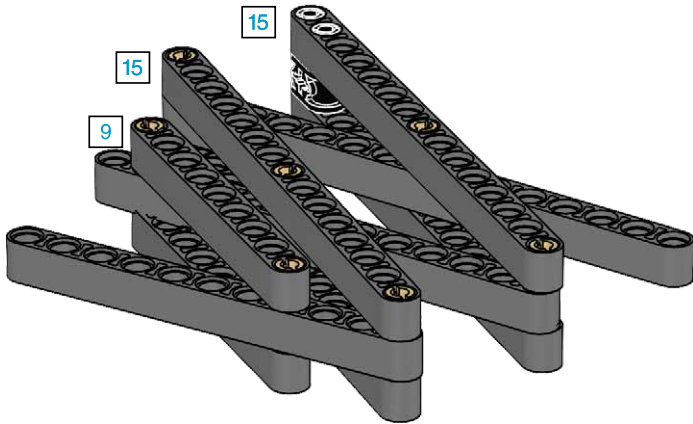


4

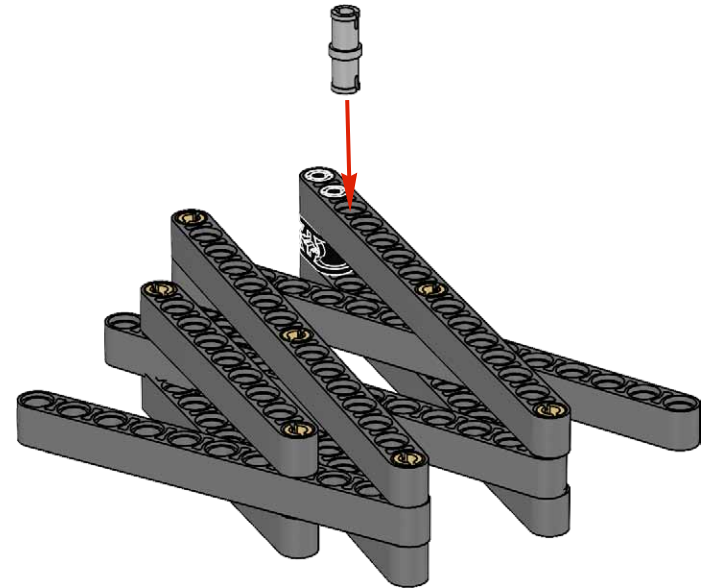


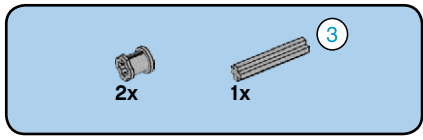


5

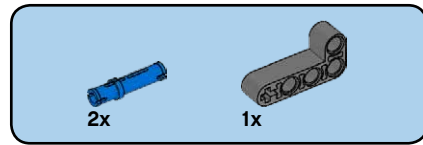
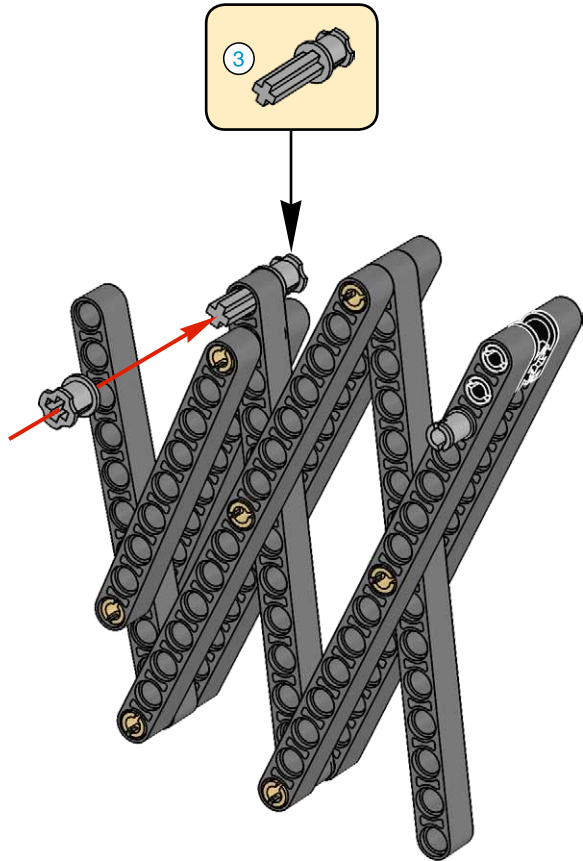


6

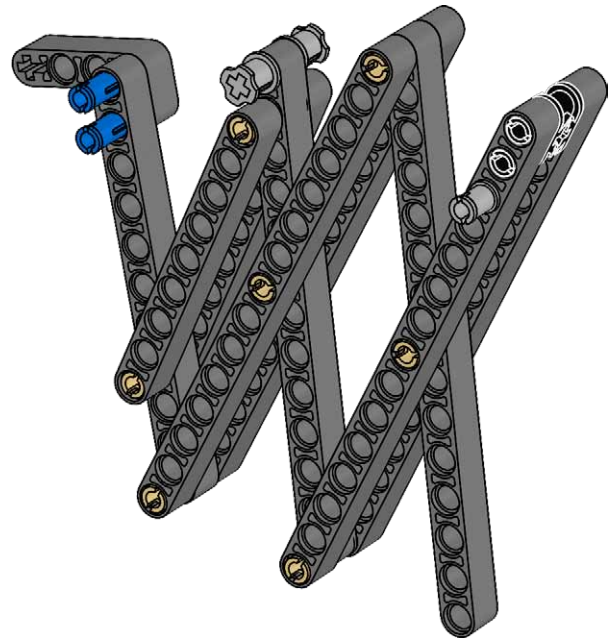


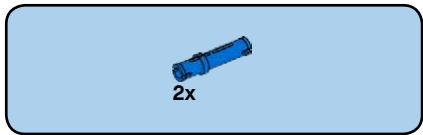


7

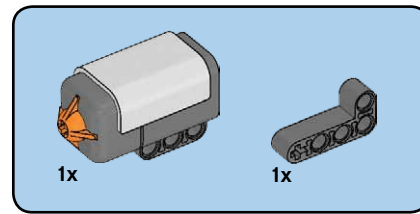


8



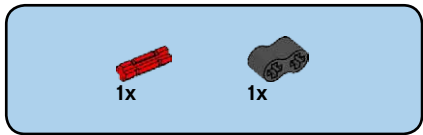


9

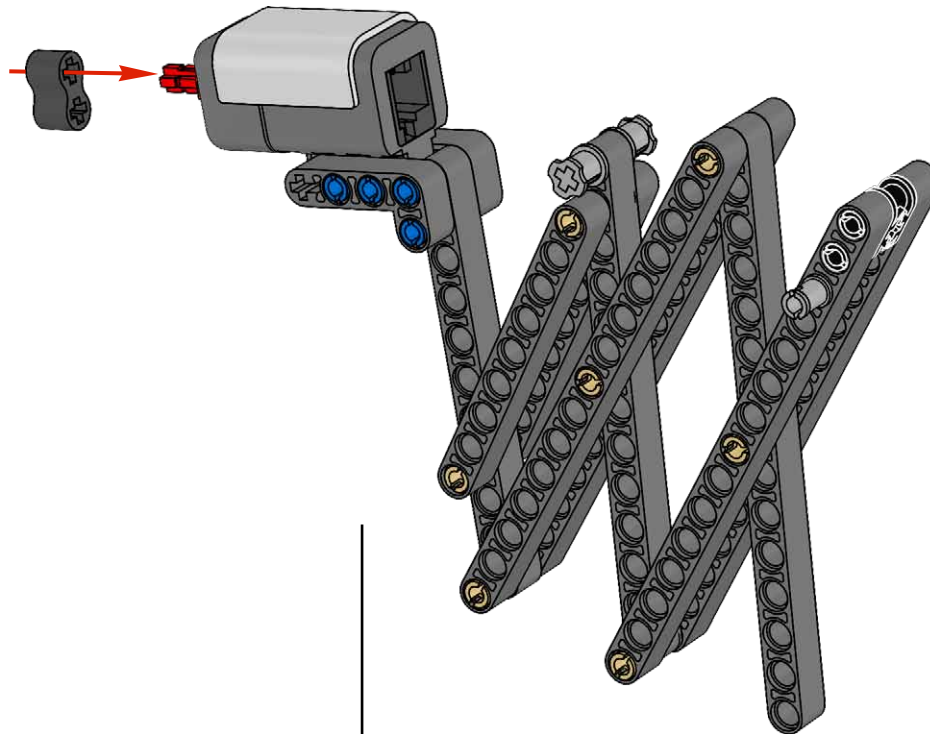


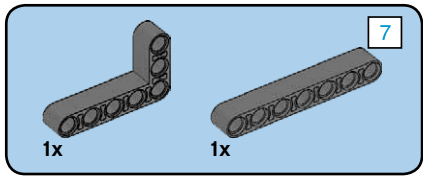
10



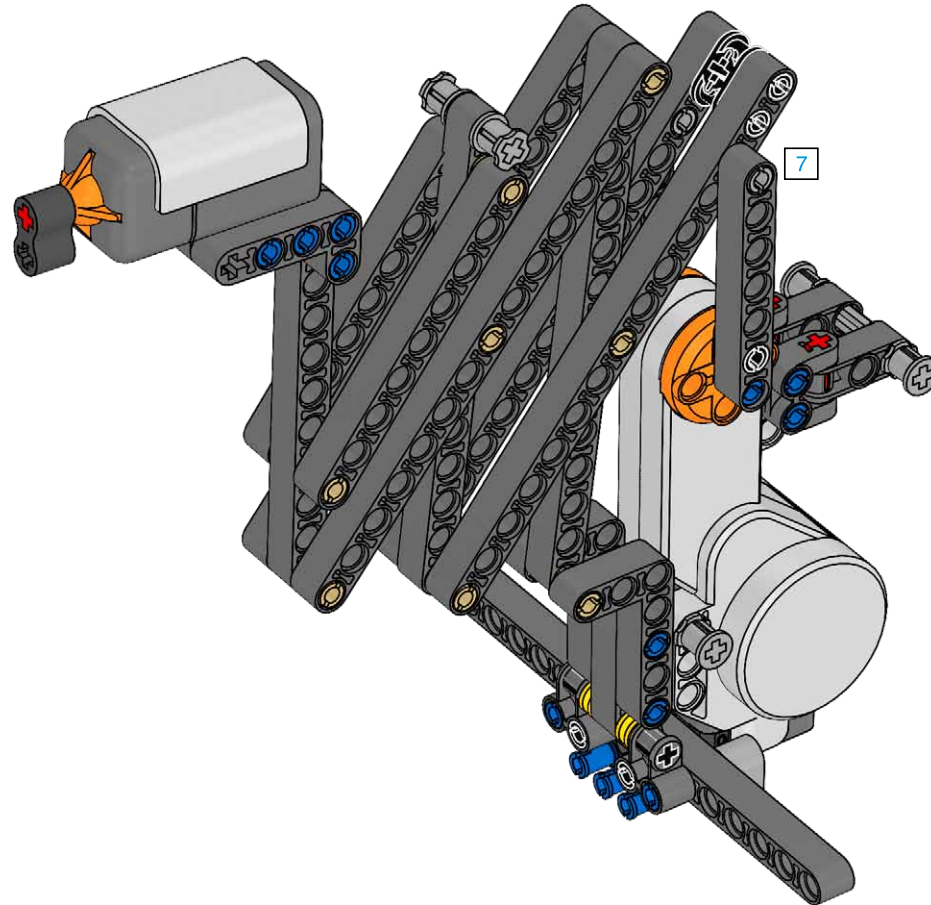


11

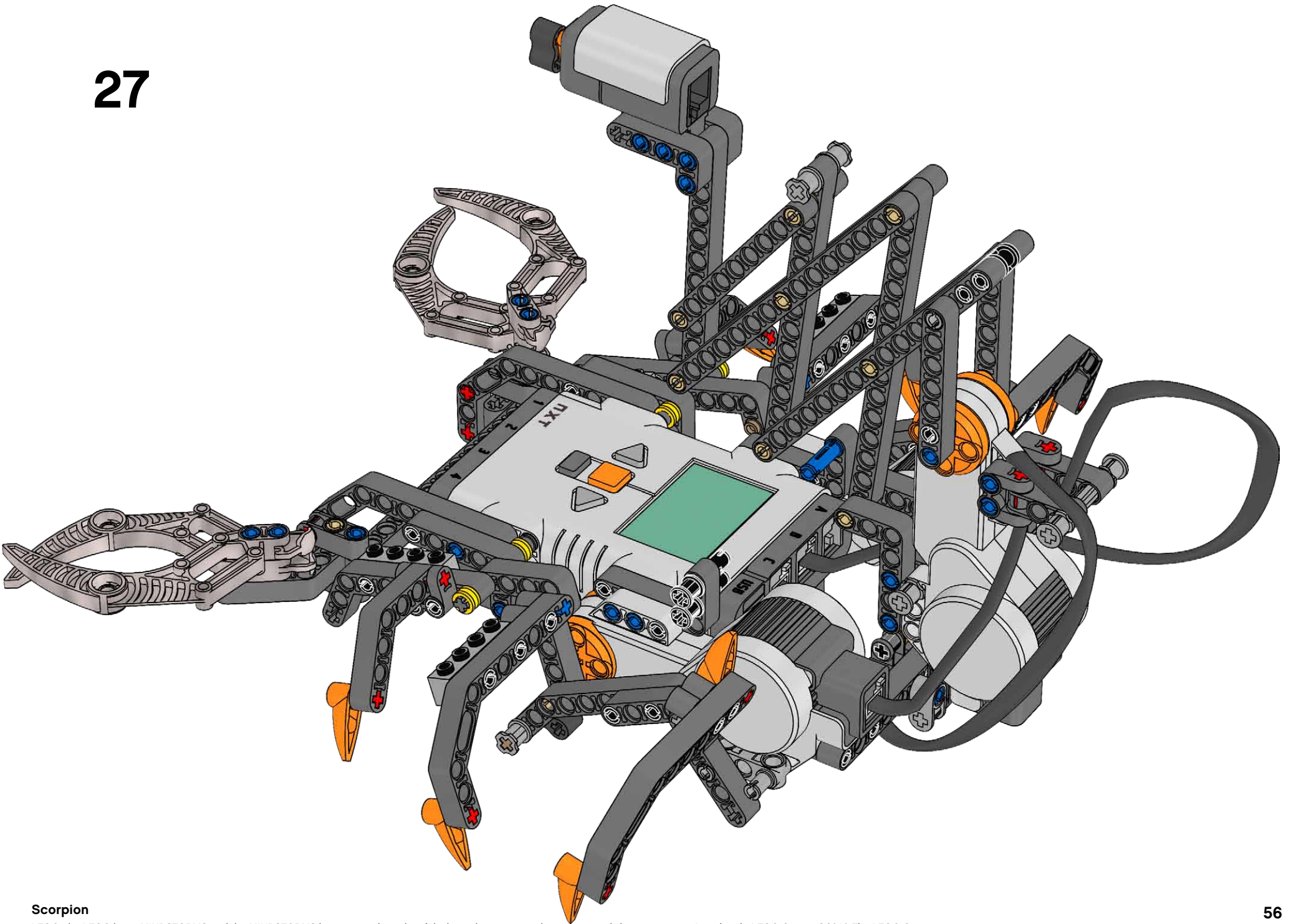




15

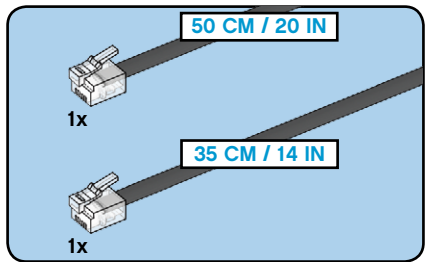


27

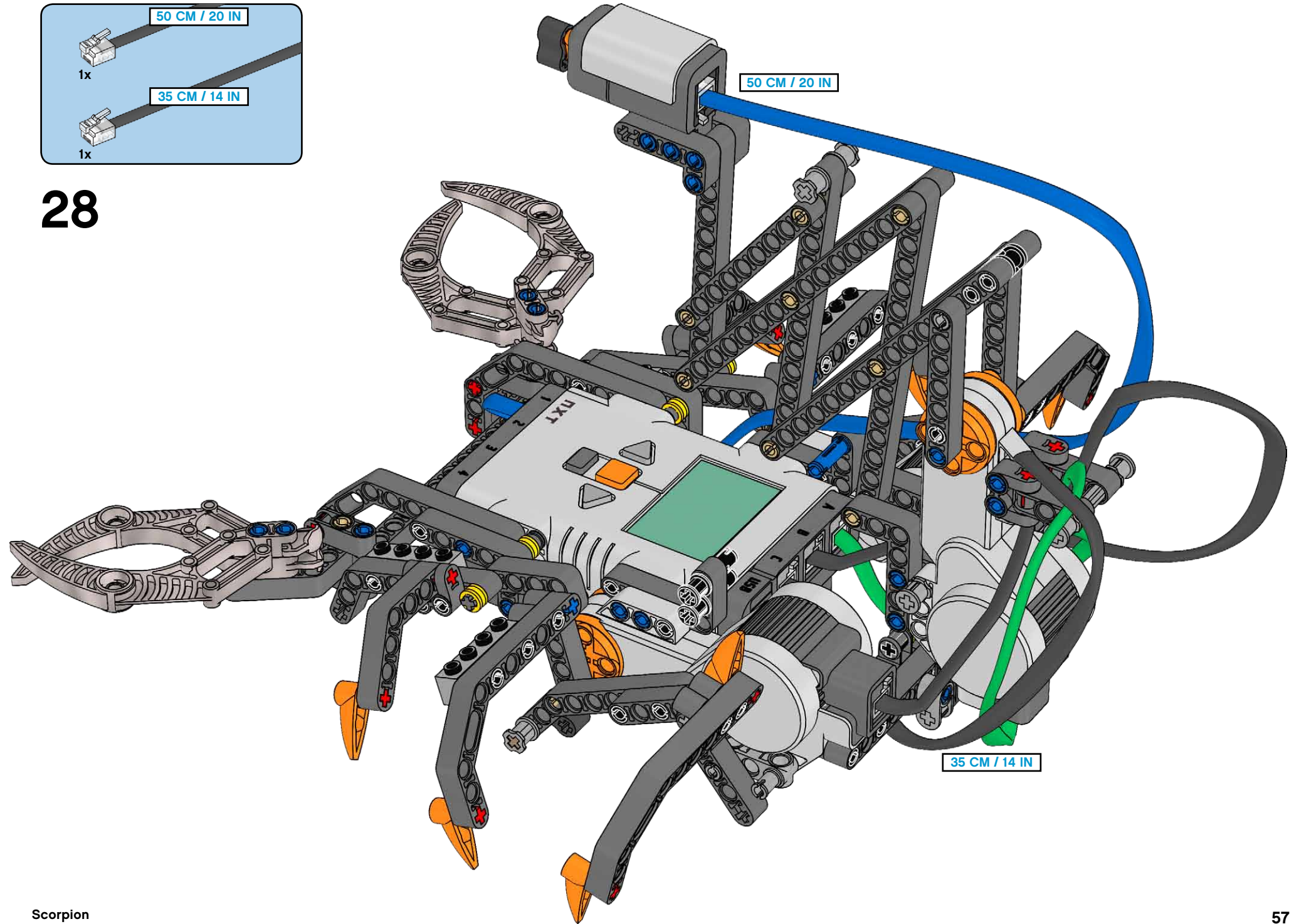


Scorpion

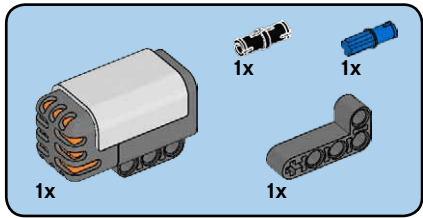
LEGO, the LEGO logo, MINDSTORMS and the MINDSTORMS logo are trademarks of the/son des marques de commerce de/son marcas registradas de LEGO Group. ©2010 The LEGO Group.



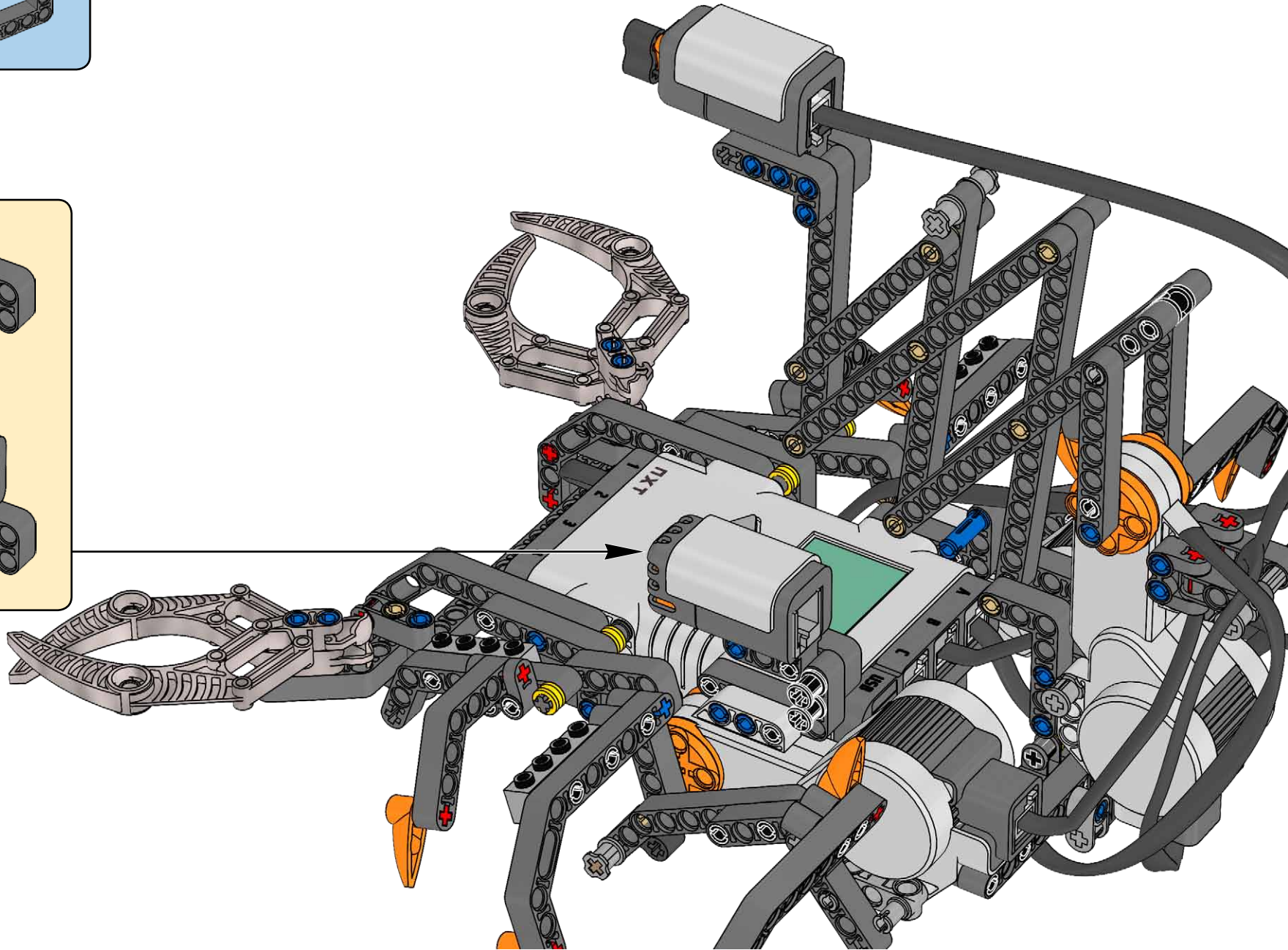
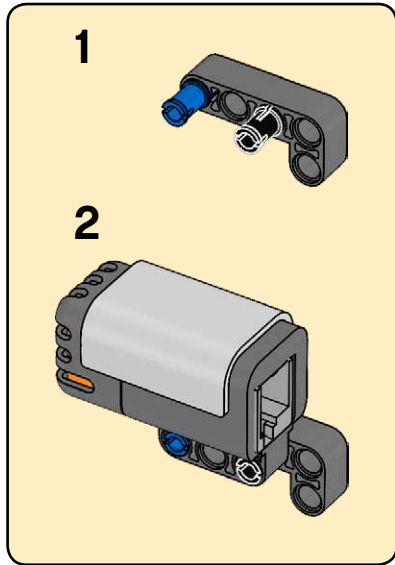
28

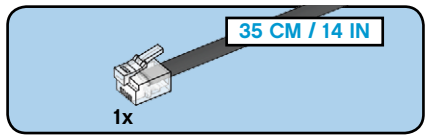


Scorpion

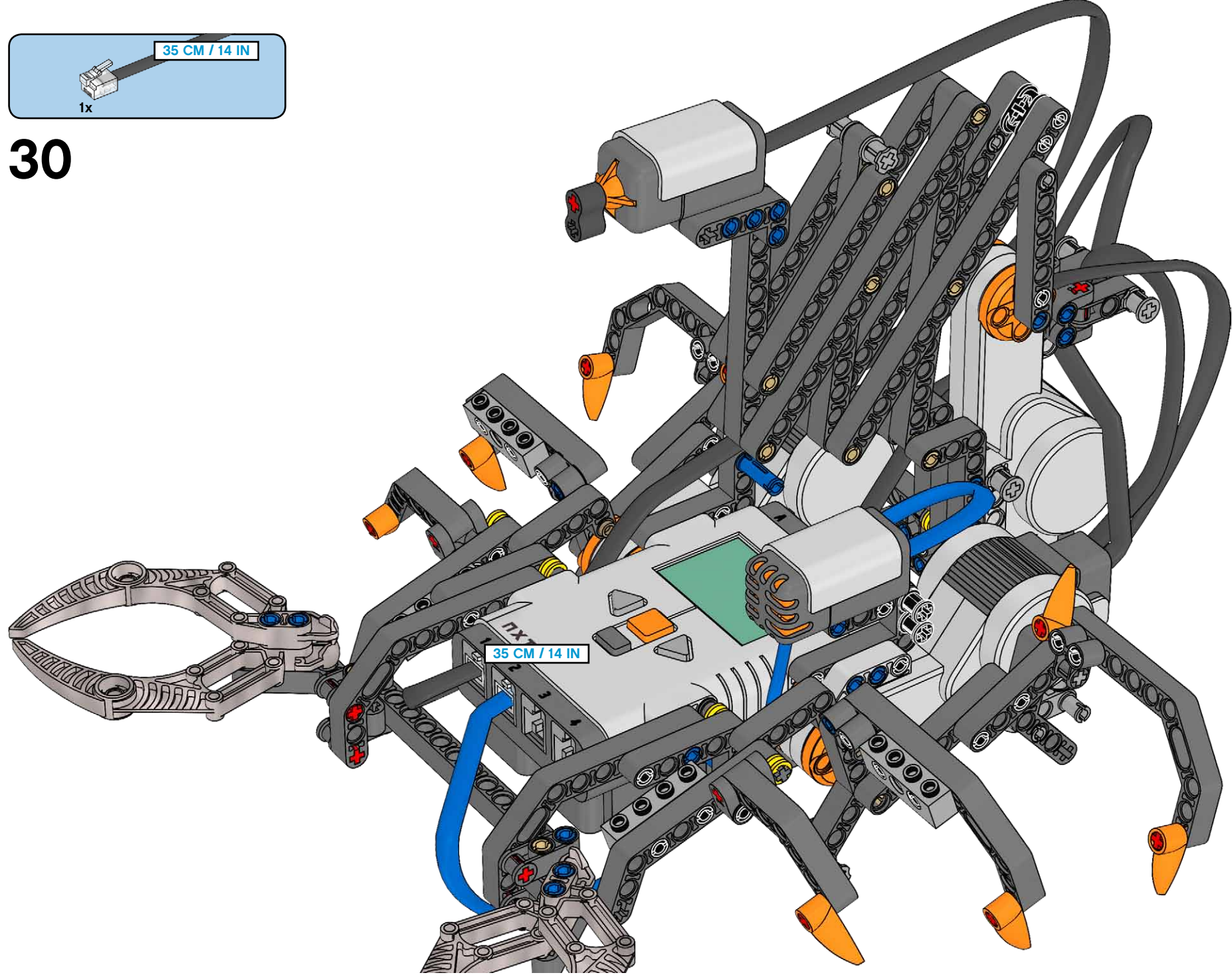


29

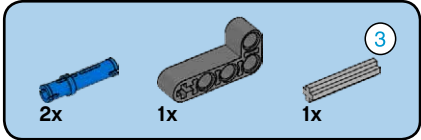
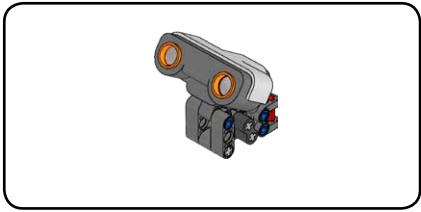




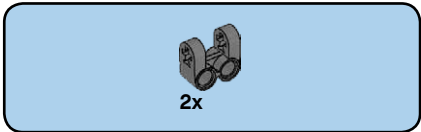
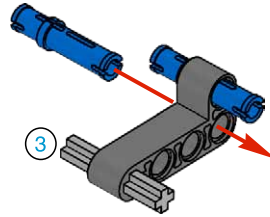
30



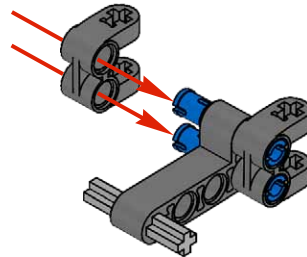
Scorpion

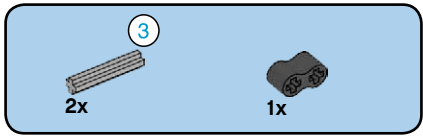


1

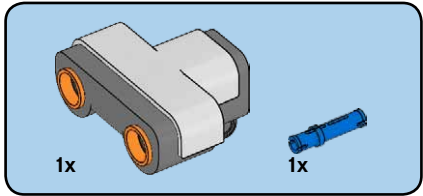
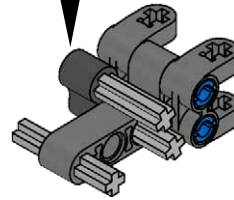
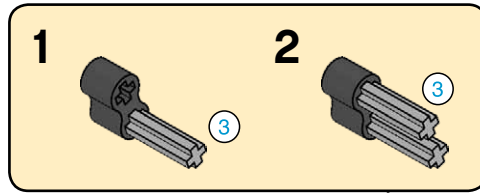


2

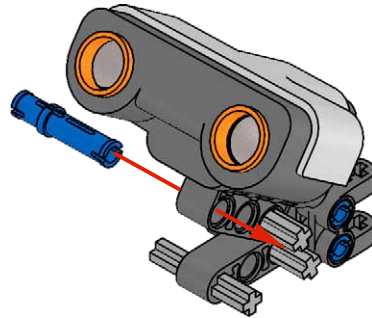


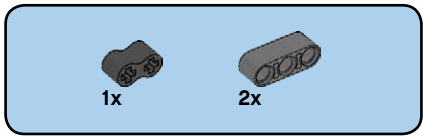


3

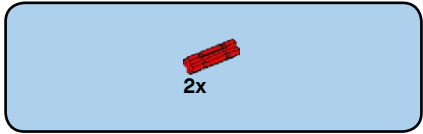
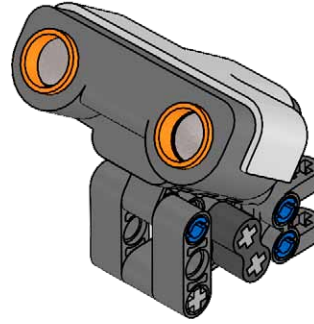


4

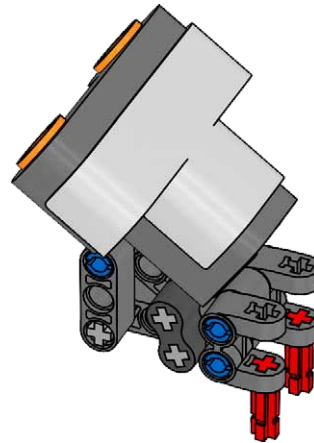




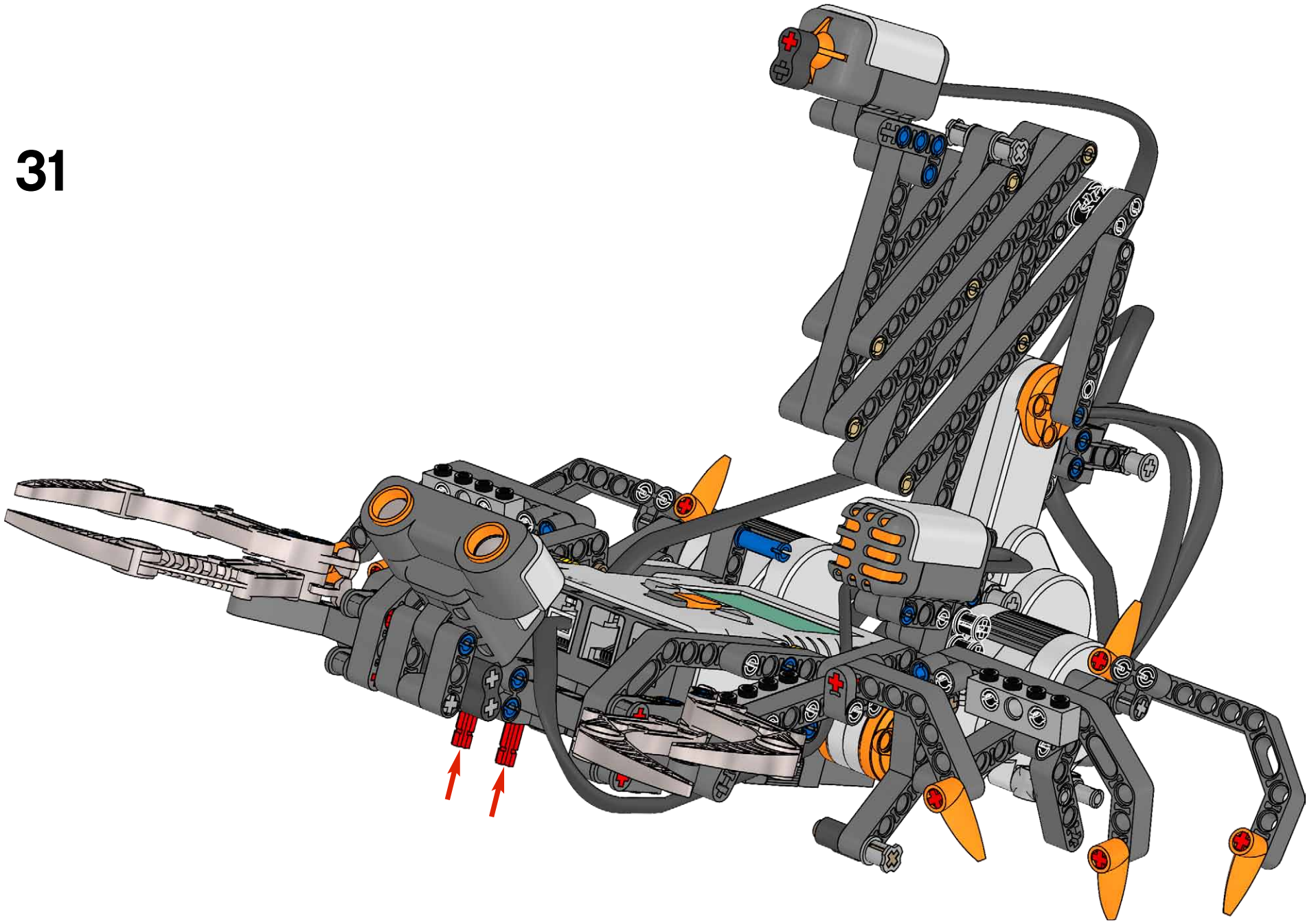
5

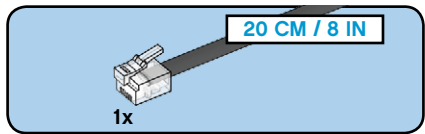


6

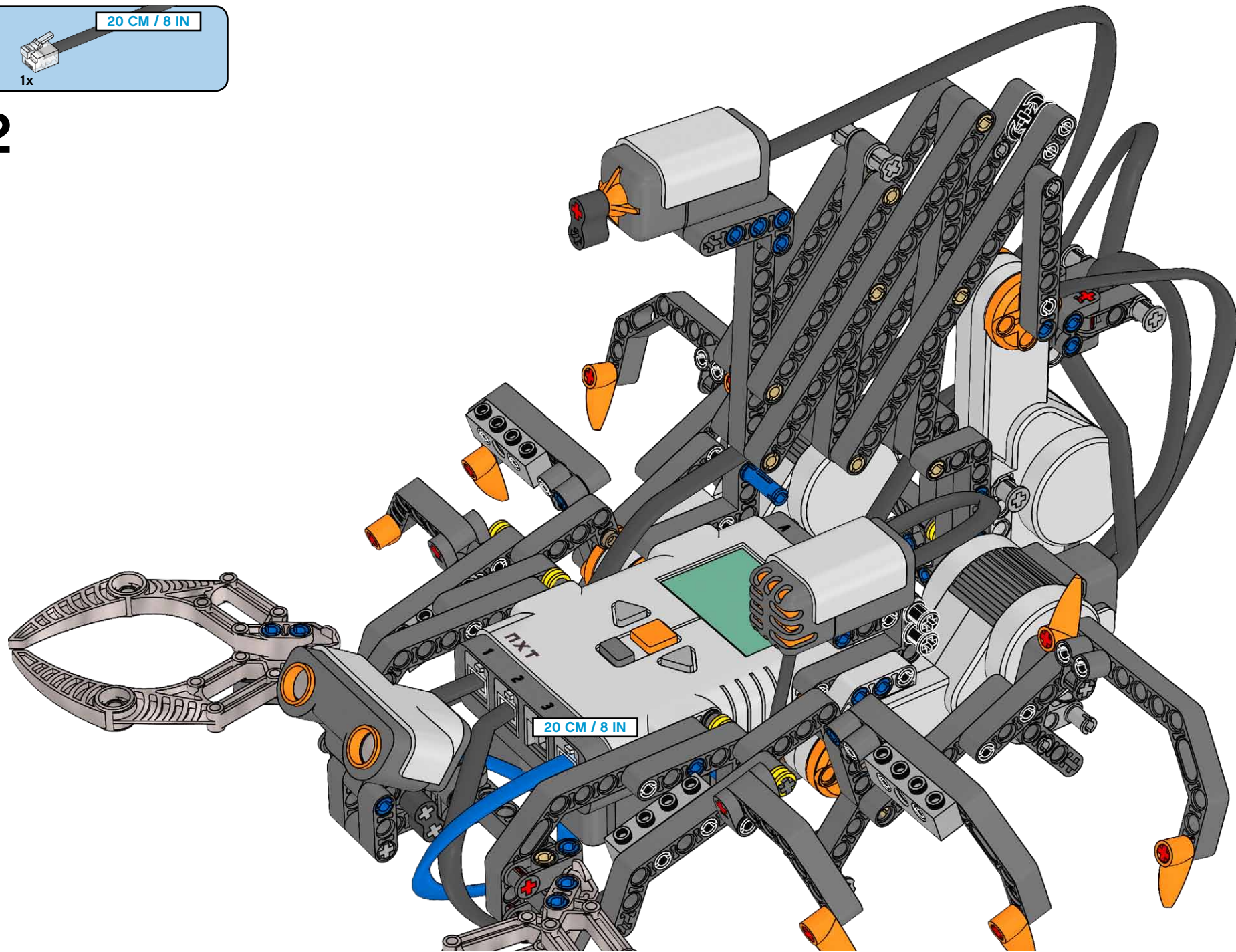


31



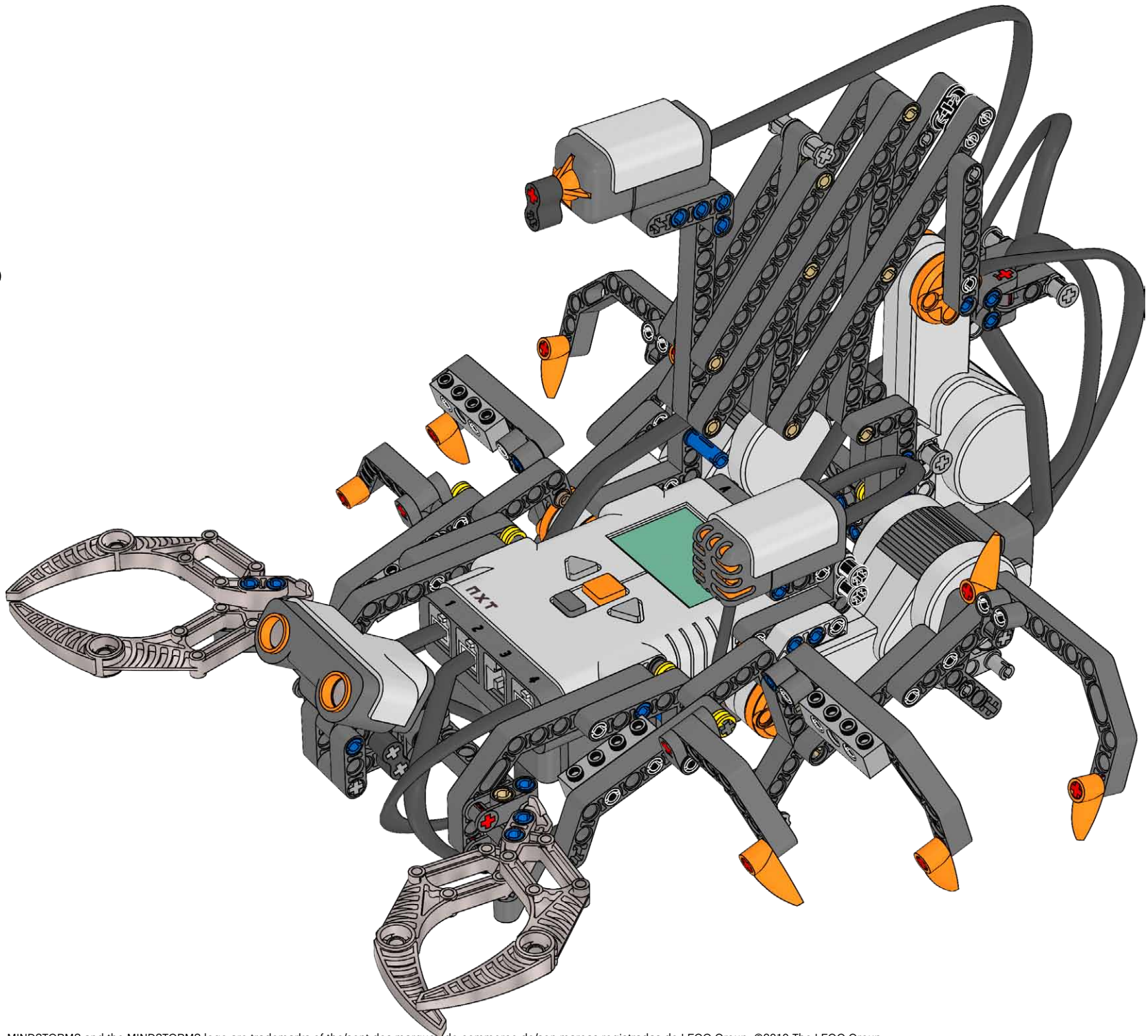


32



Scorpion

33



Scorpion

LEGO, the LEGO logo, MINDSTORMS and the MINDSTORMS logo are trademarks of the/son des marques de commerce de/son marcas registradas de LEGO Group. ©2010 The LEGO Group.